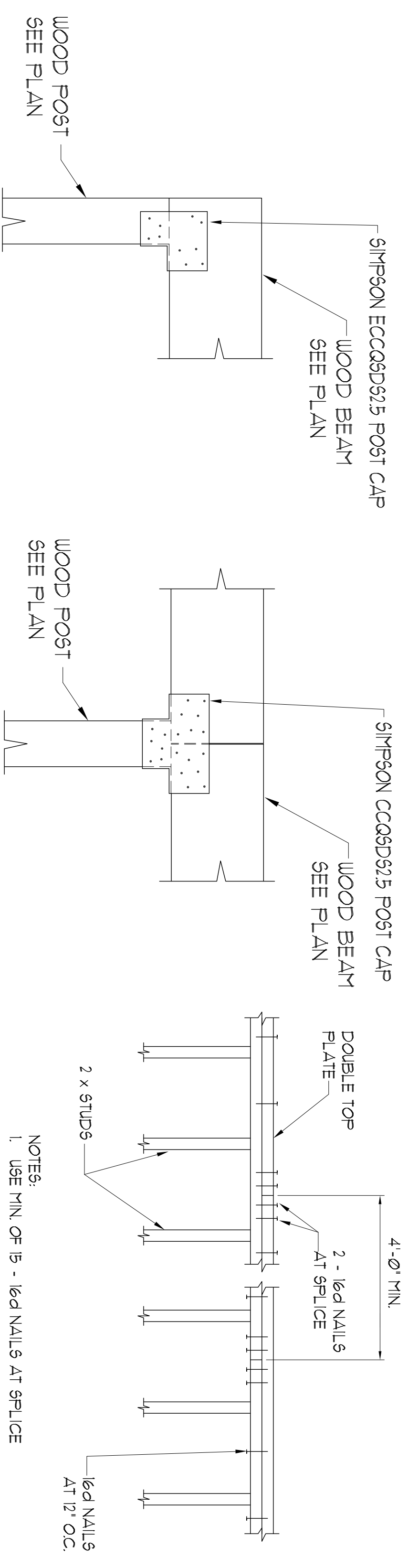


SECTION A-A

SECTION B-B

NOTE:  
LIGHTEST LINES DENOTE  
EXISTING CONSTRUCTION.



1

2

3

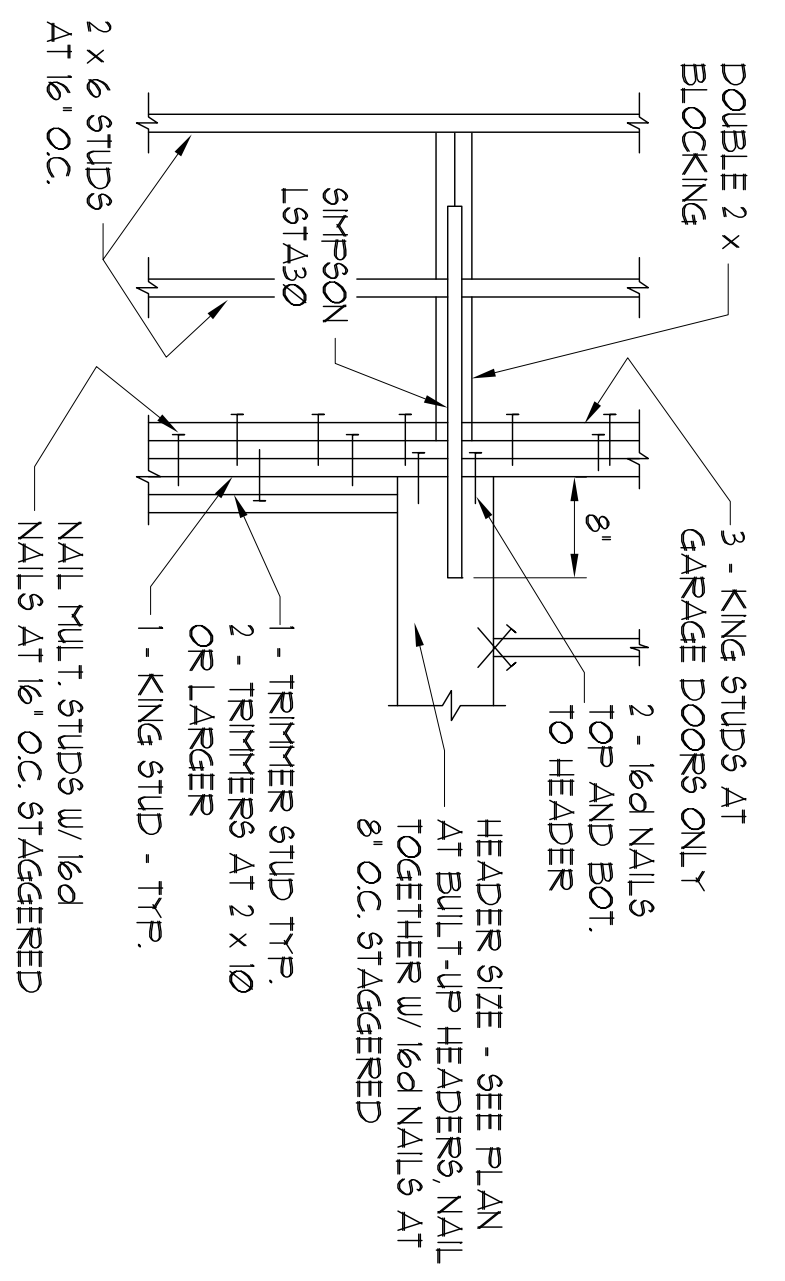
4

TYPICAL TOP PLATE SPLICE DETAIL

TYP HEADER BEARING DETAIL

NOTES:  
1. USE MIN. OF 15 - 16d NAILS AT SPLICE  
2. STAGGER SPLICE @ 4'-0\"/>

NOTE:  
SEE GENERAL STRUCTURAL NOTES  
FOR NAILING & ADDITIONAL INFO.



NOTE:  
SEE GENERAL STRUCTURAL NOTES  
FOR NAILING & ADDITIONAL INFO.

DOUBLE 2 x BLOCKING TO FABRICATE PARAPET AND ATTACH W/ 6 - 16d NAILS OR EQUAL

3 - KING STUDS AT GARAGE DOORS ONLY TO HEADER

2 - 16d NAILS TO HEADER

HEADER SIZE - SEE PLAN AT BUILT-UP HEADERS NAIL TOGETHER W/ 16d NAILS AT 8\"/>

1 - TRIMMERS STUD TYP. AT BUILT-UP HEADERS NAIL TOGETHER W/ 16d NAILS AT 8\"/>

2 - TRIMMERS AT 2 x 10 OR LARGER

1 - KING STUD - TYP.

NAIL MULT. STUDS W/ 16d NAILS AT 16\"/>