

winton architects, inc.
 Phoenix, Az. 85014
 1435 E. Rancho Drive
 (602) 230-9778
 wintonarch@gmail.com

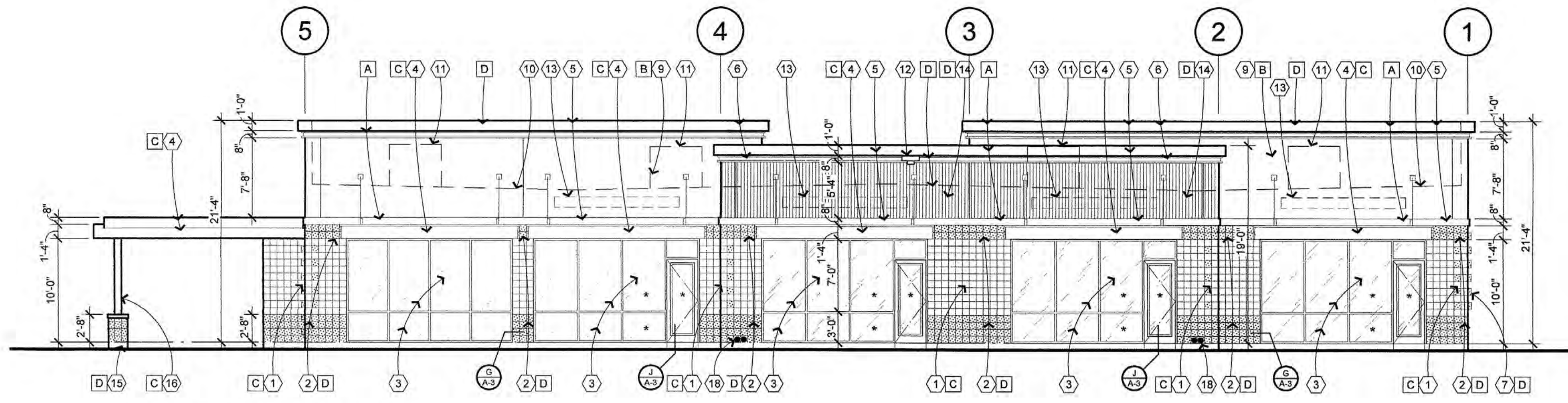


A NEW BUILDING FOR: KIWAMI ON BELL
5327 W. BELL ROAD
GLENDALE, ARIZONA 85306
LOGOS BUILDERS SOUTHWEST

job no. 24114
 drawn LB
 approved RBW
 date 9/25/24

revisions

A-2



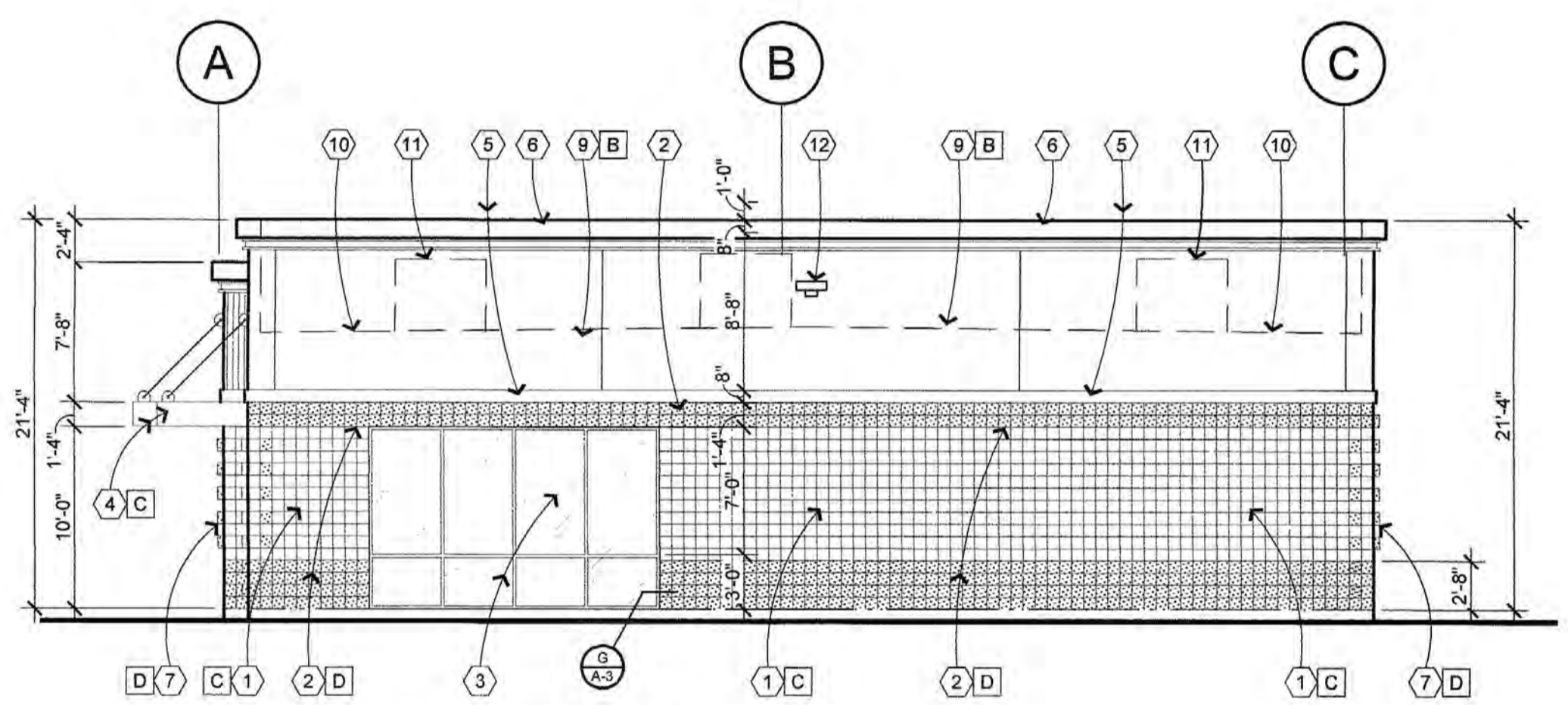
NORTH ELEVATION

SCALE: 1/8" = 1'-0"
 * INDICATES TEMPERED GLASS

NOTE: Exterior glass to be insulated in clear anodized center glazed aluminum frames. Glass to be 1" Sun Guard by Guardian Glass. Super neutral 68 on gray (U-value = 0.29, SHGC = 0.25)

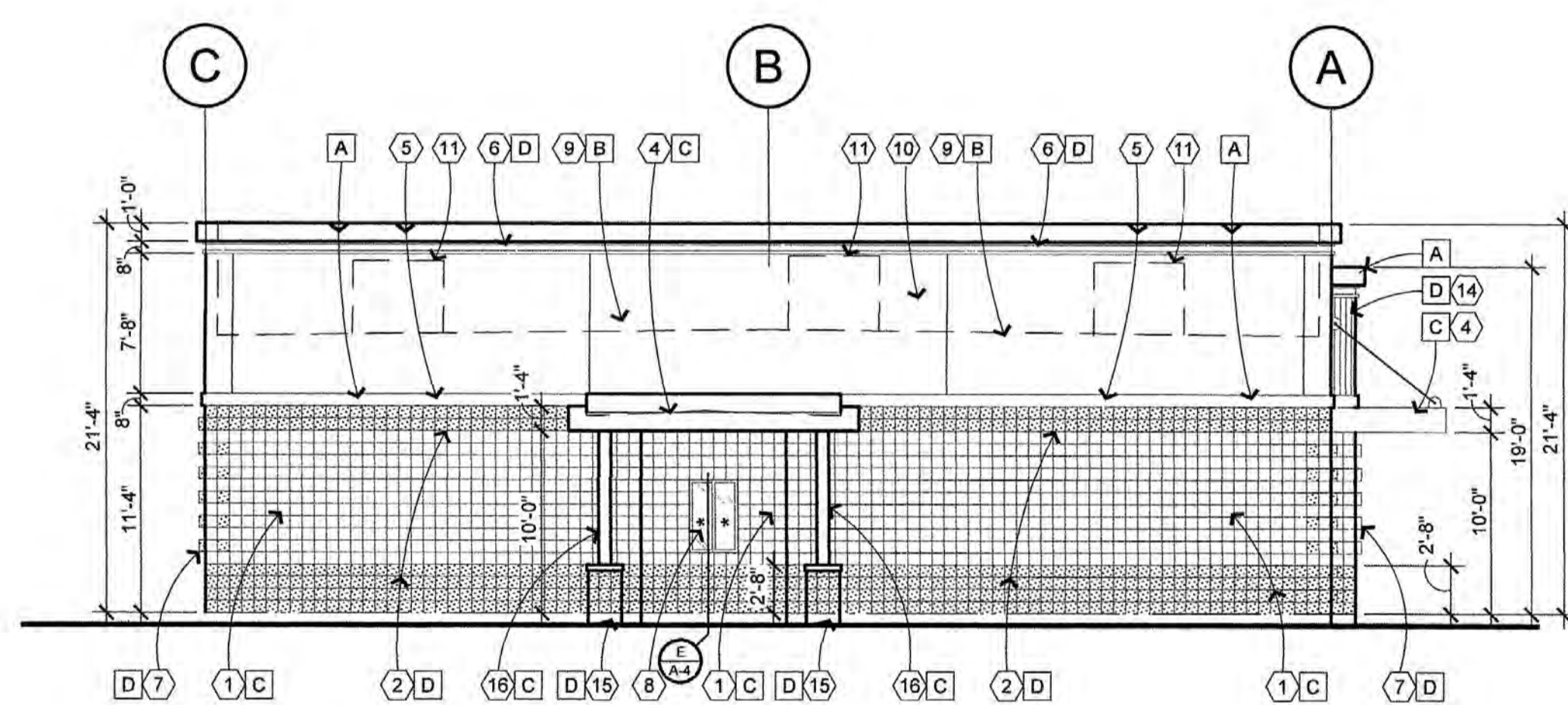
- EXTERIOR PAINT COLORS**
 (Sherwin Williams or equal)
- A. White, DEW380 (Dunn Edwards)
 - B. Natural Tan, SW 7567, 284-C1
 - C. Online, SW 7072, 235-C2
 - D. Urbane Bronze, SW 7048, 245-C7

- EXTERIOR ELEVATIONS KEYNOTES:**
1. 2 3/8" center scored cmu
 2. 2 3/8" split faced cmu veneer
 3. Fixed 1" insulated glass in clear anodized aluminum frames
 4. Steel canopy per details
 5. EIFS rigid insulation cornice
 6. 8" steel channel
 7. 8"x 4"x 8" split faced cmu block turn perpendicular to the wall
 8. 2'-8"x 4'-0" aluminum glass slider with stainless steel counter
 9. EIFS on plywood and stud framing
 10. Roof line beyond parapet
 11. Future mechanical units behind building parapet
 12. Wall pack light fixture per Electrical drawings
 13. Potential future tenant signage - T.B.D.
 14. Corrugated metal
 15. 2'-0" square pier in split faced cmu
 16. Tube steel post per structural drawings.
 17. Hollow metal door and frame
 18. Roof and overflow downspouts



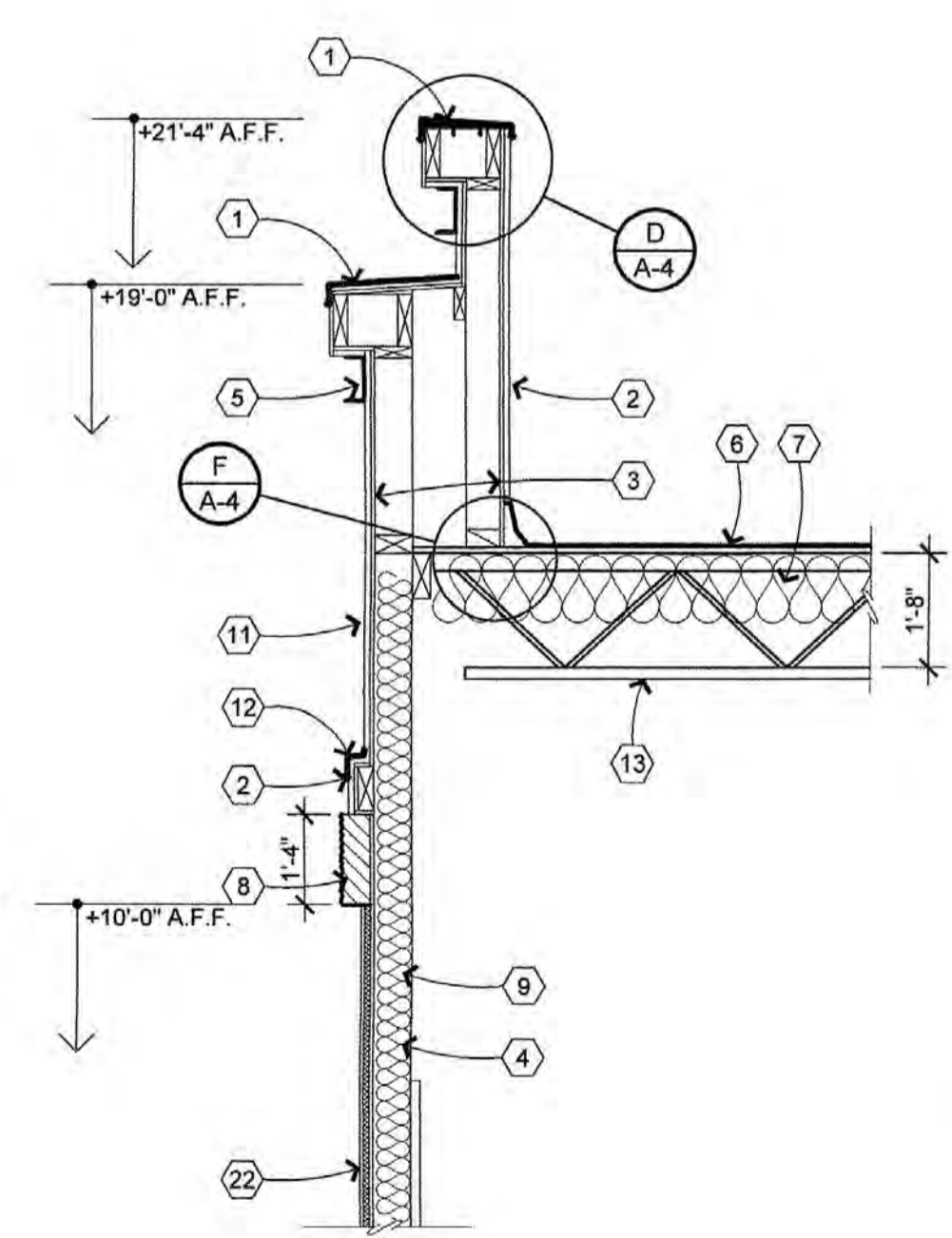
WEST ELEVATION

SCALE: 1/8" = 1'-0"



EAST ELEVATION

SCALE: 1/8" = 1'-0"
 * INDICATES TEMPERED GLASS

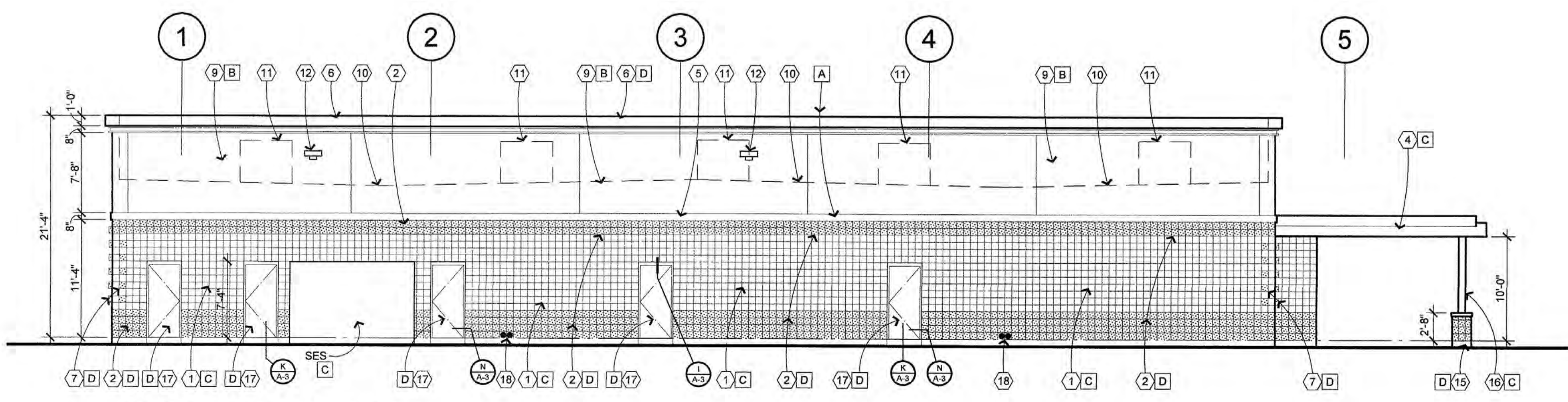


SECTION AT TRANSITION OF HIGH AND LOW PARAPET KEYNOTES:

1. 24ga metal coping cap
2. EIFS on 1" rigid insulation
3. Plywood per structural drawings
4. 2x studs per structural drawings
5. Steel 8" C channel
6. 1" foam insulation (R=7, Class 'B' roofing)
7. R30 batts wired snug to roof deck
8. 4" split faced/center scored cmu veneer, 1'-4" high
9. R19 batts
10. 26ga continuous counter flashing
11. Corrugated metal with vertical flutes
12. Metal flashing
13. 2 3/8" split face cmu veneer

SECTION @ TRANSITION OF HIGH AND LOW PARAPETS

SCALE: 3/8" = 1'-0"



SOUTH ELEVATION

SCALE: 1/8" = 1'-0"