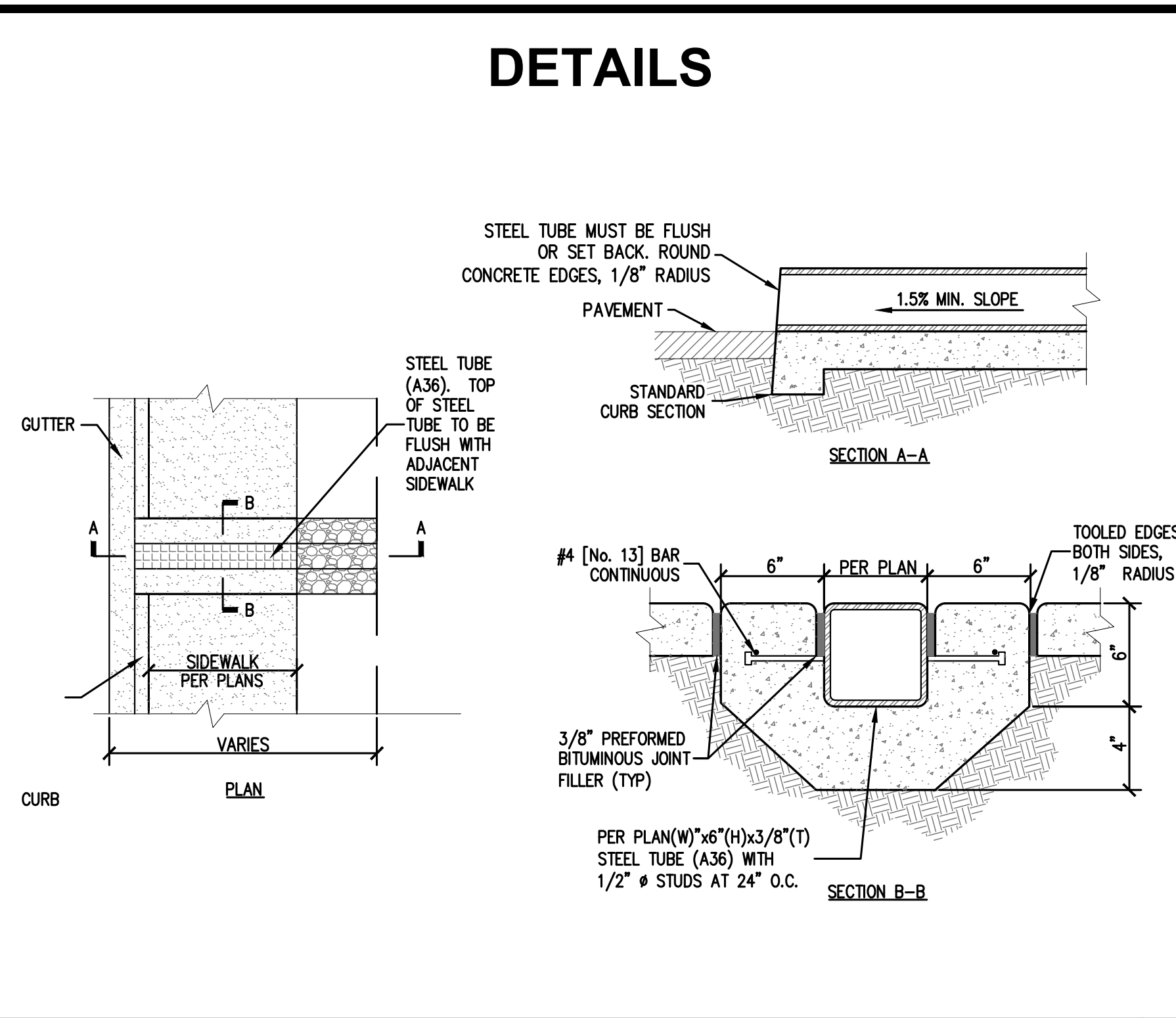


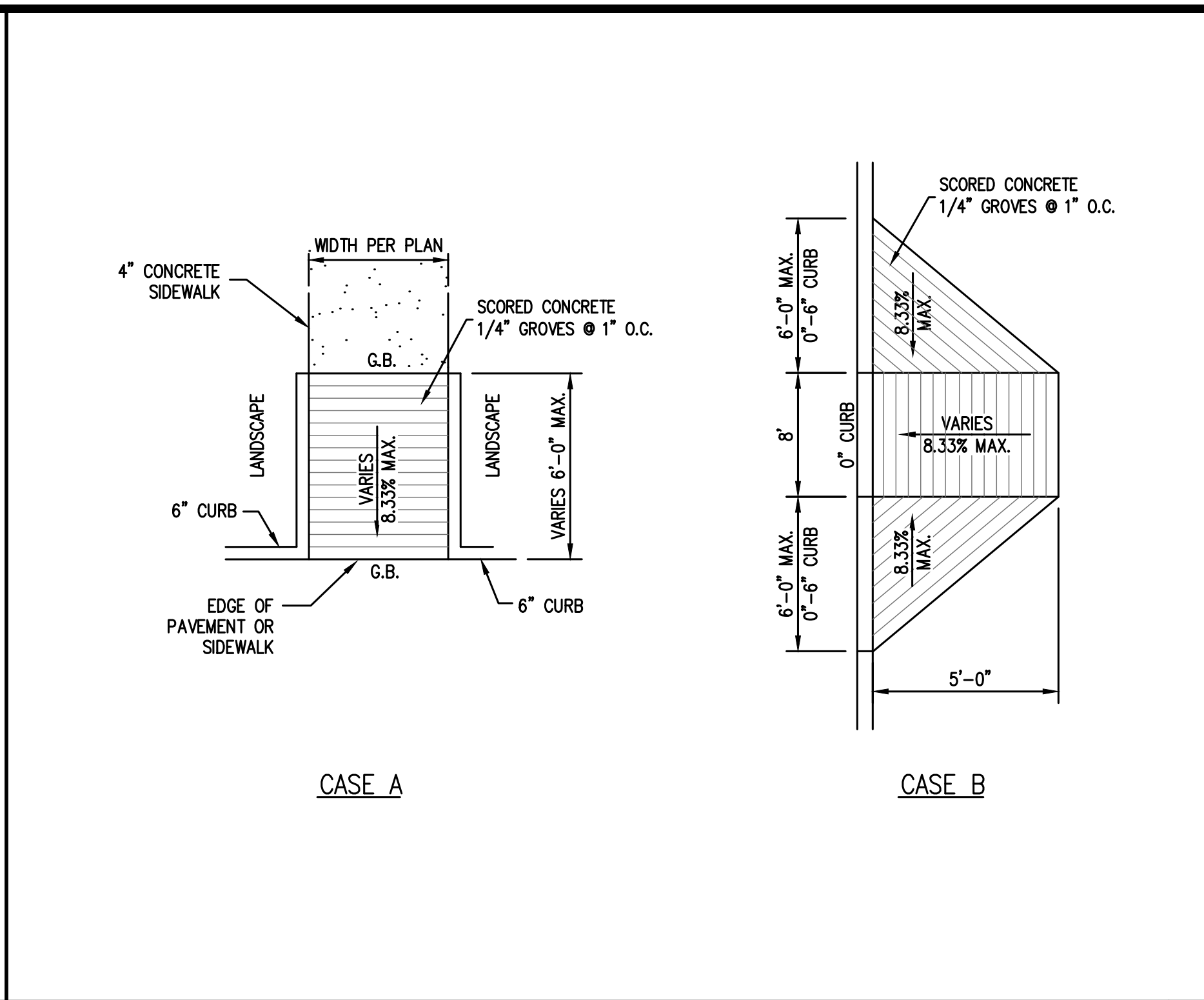
ROOF DRAIN SPILLWAY TO SCUPPER DETAIL

1



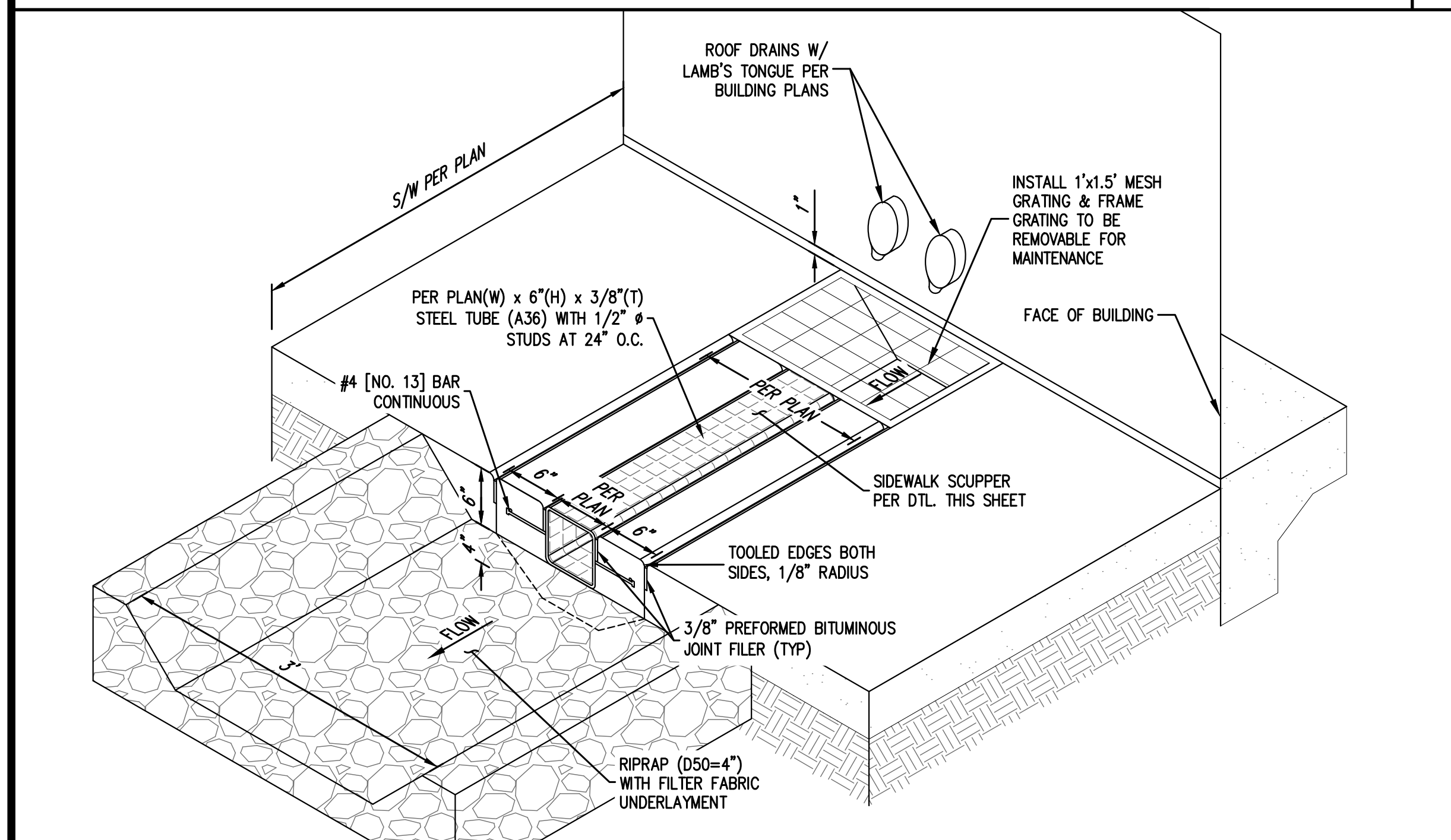
SIDEWALK SCUPPER DETAIL

4



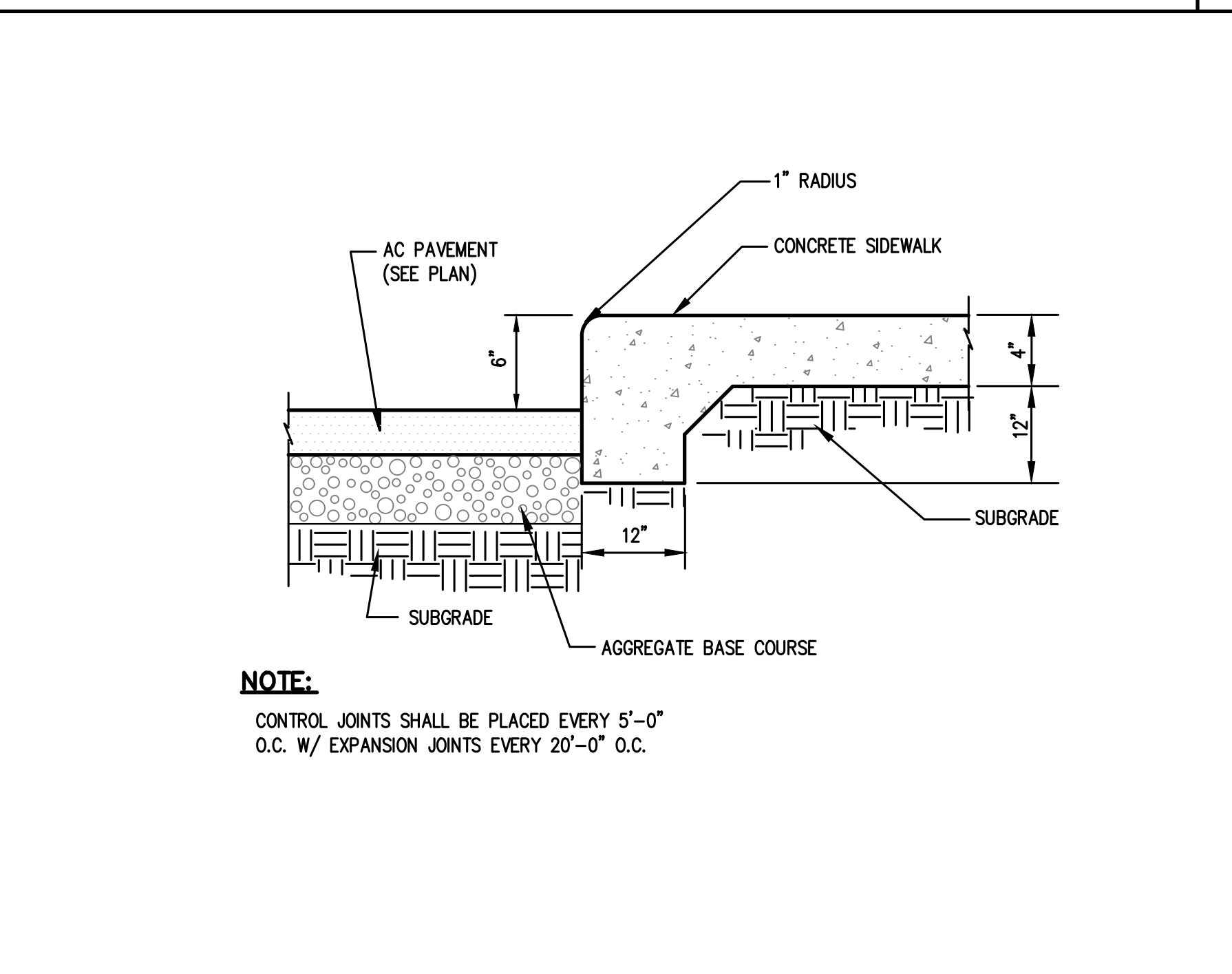
SIDEWALK RAMP DETAILS

7



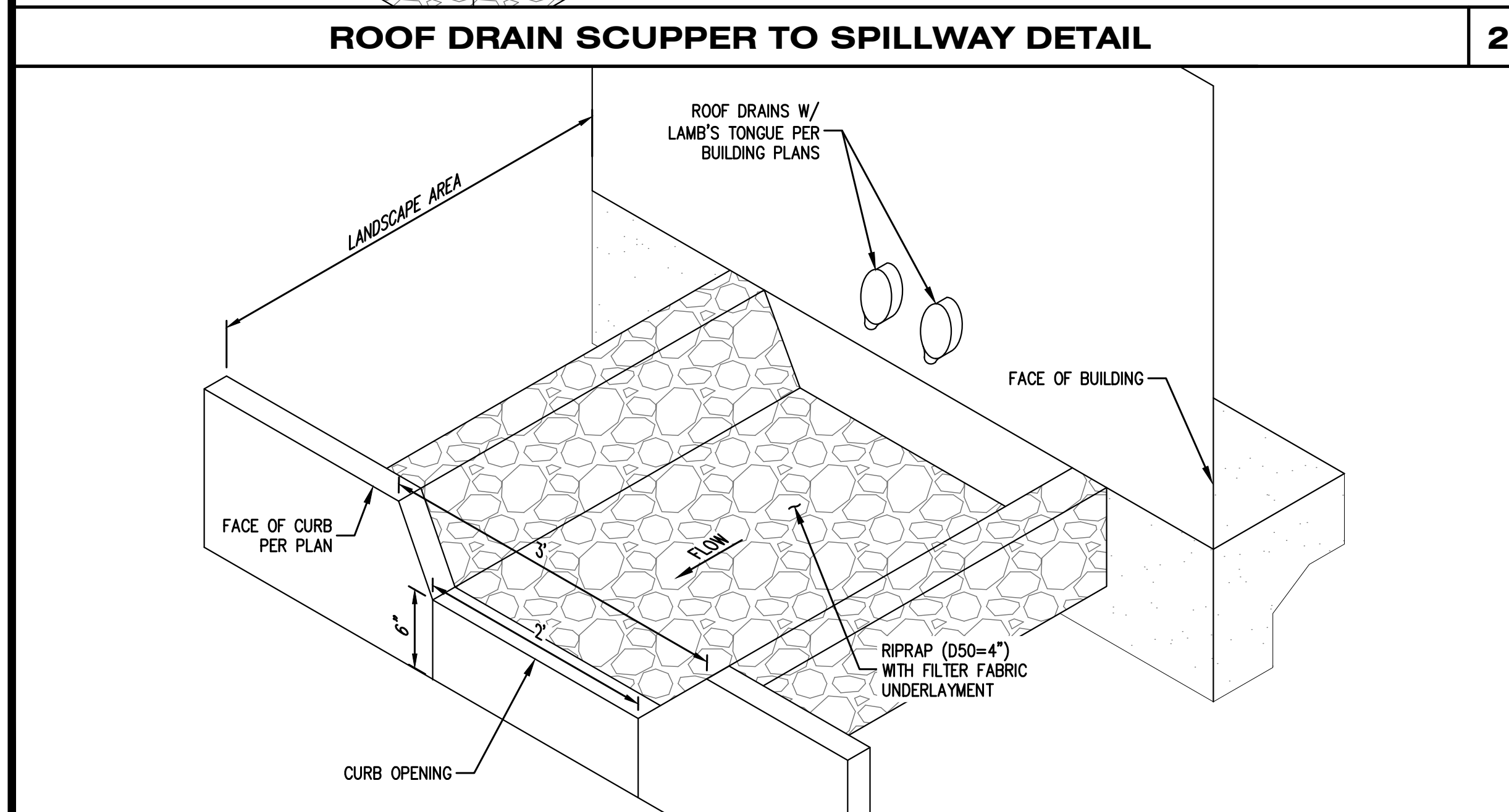
ROOF DRAIN SCUPPER TO SPILLWAY DETAIL

2



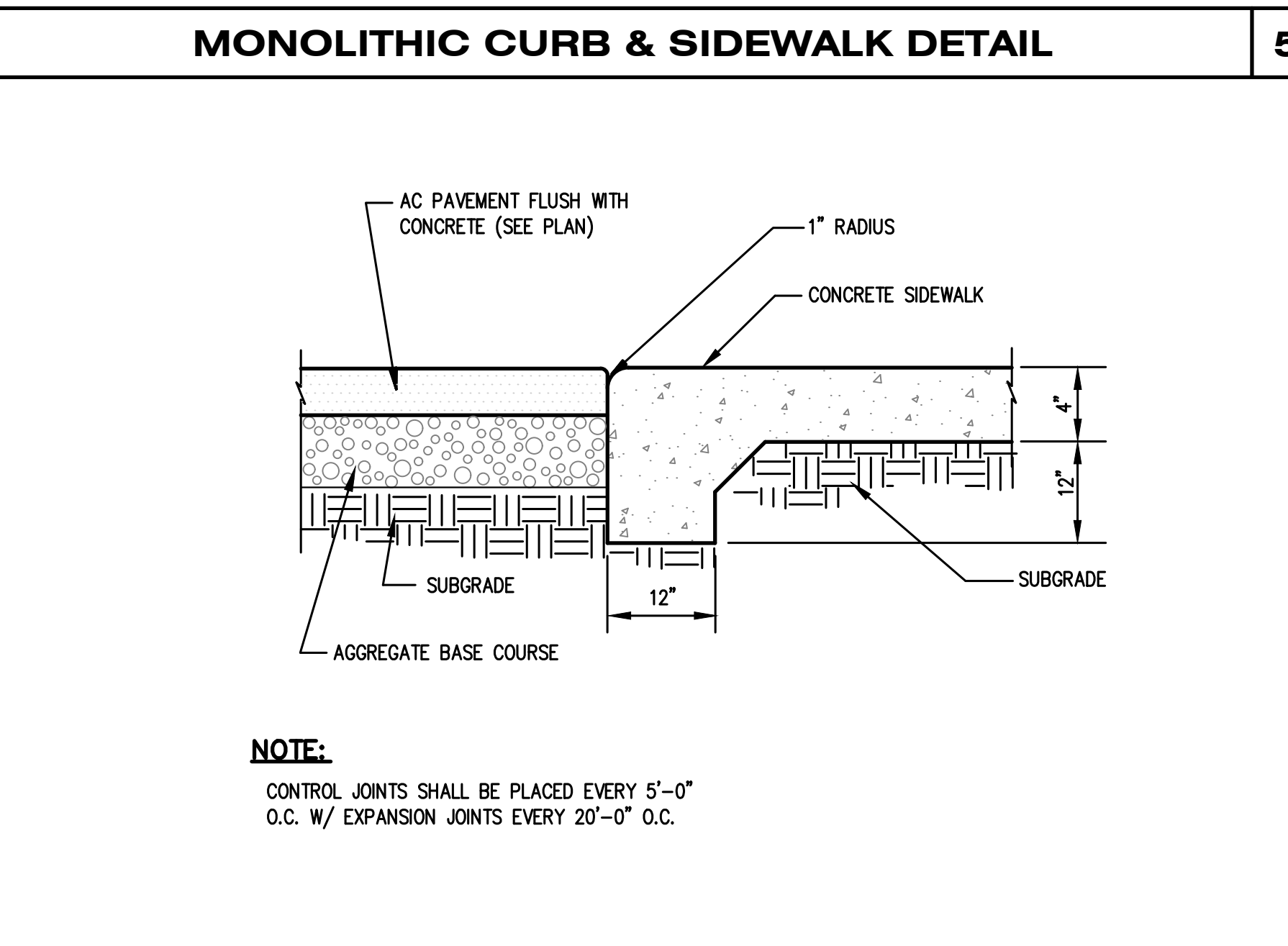
MONOLITHIC CURB & SIDEWALK DETAIL

5



ROOF DRAIN SPILLWAY DETAIL

3



MONOLITHIC CURB & SIDEWALK FLUSH DETAIL

6

**CONSTRUCTION SET 11-12-24**

DATE:	
REVISIONS:	
TITLE:	DETAILS
DATE:	9/30/2024
PROJ. #:	2076
	<b>C-4</b>
	4 OF 6

