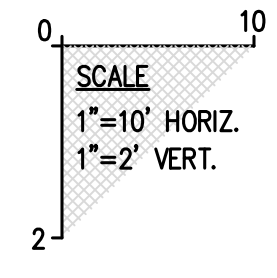
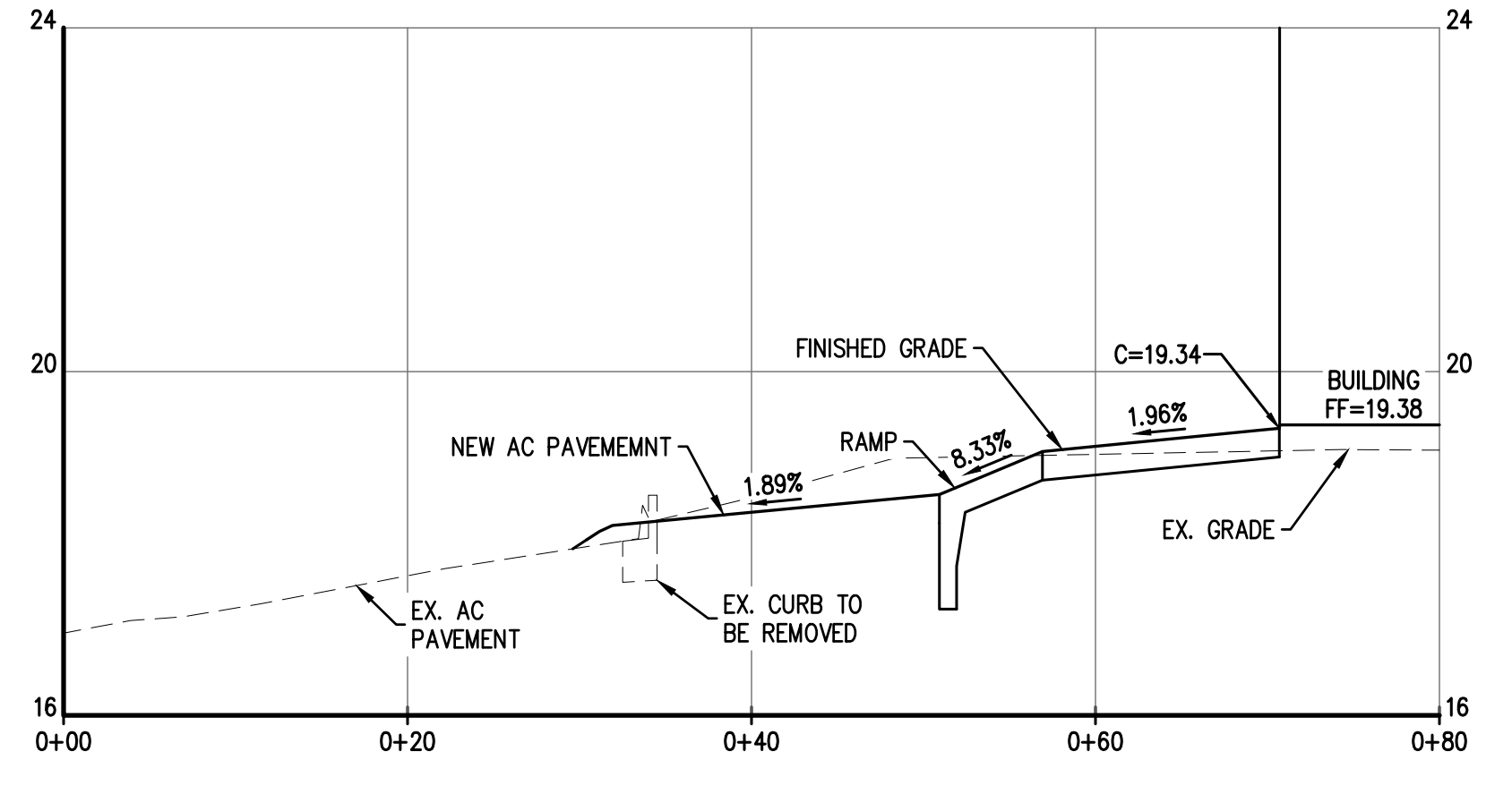
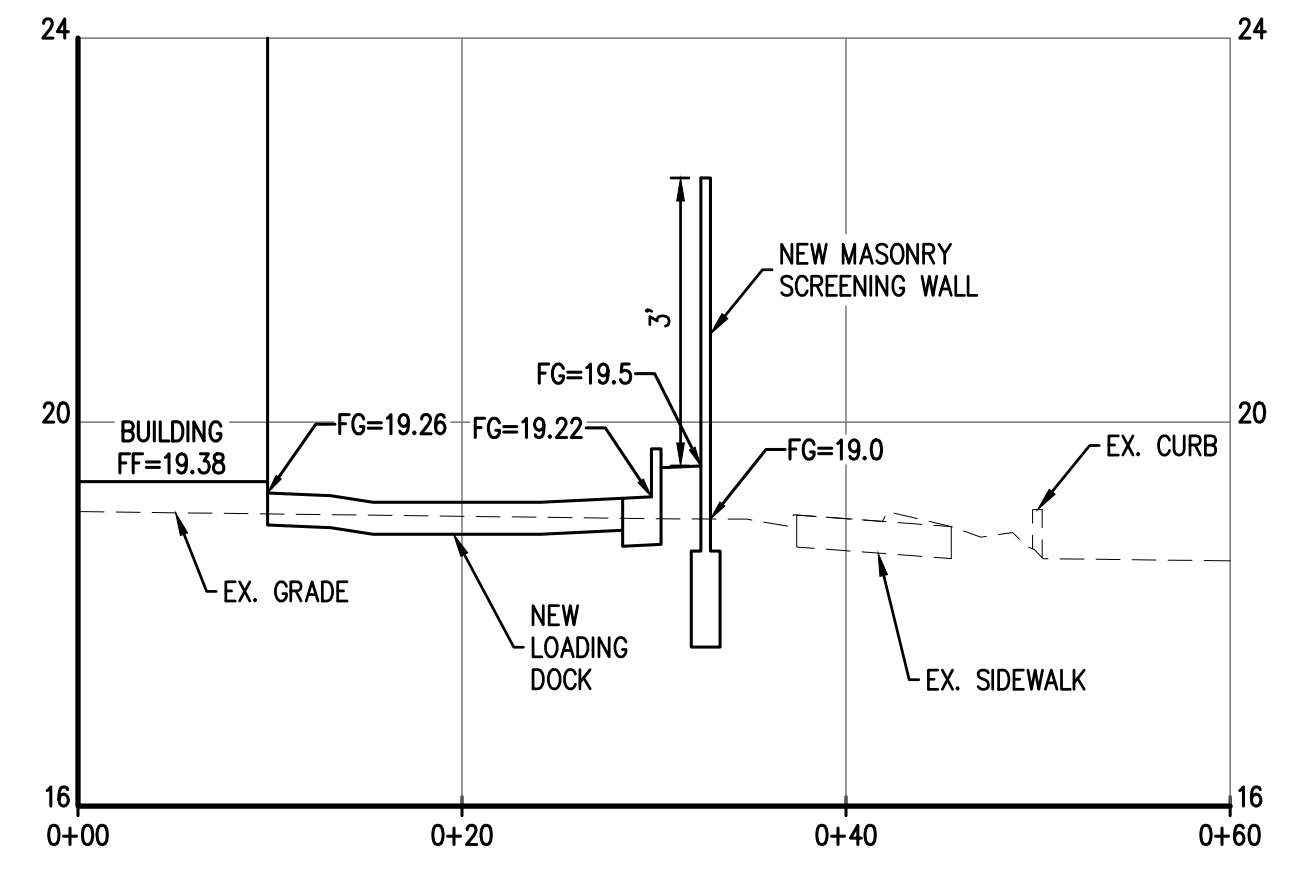
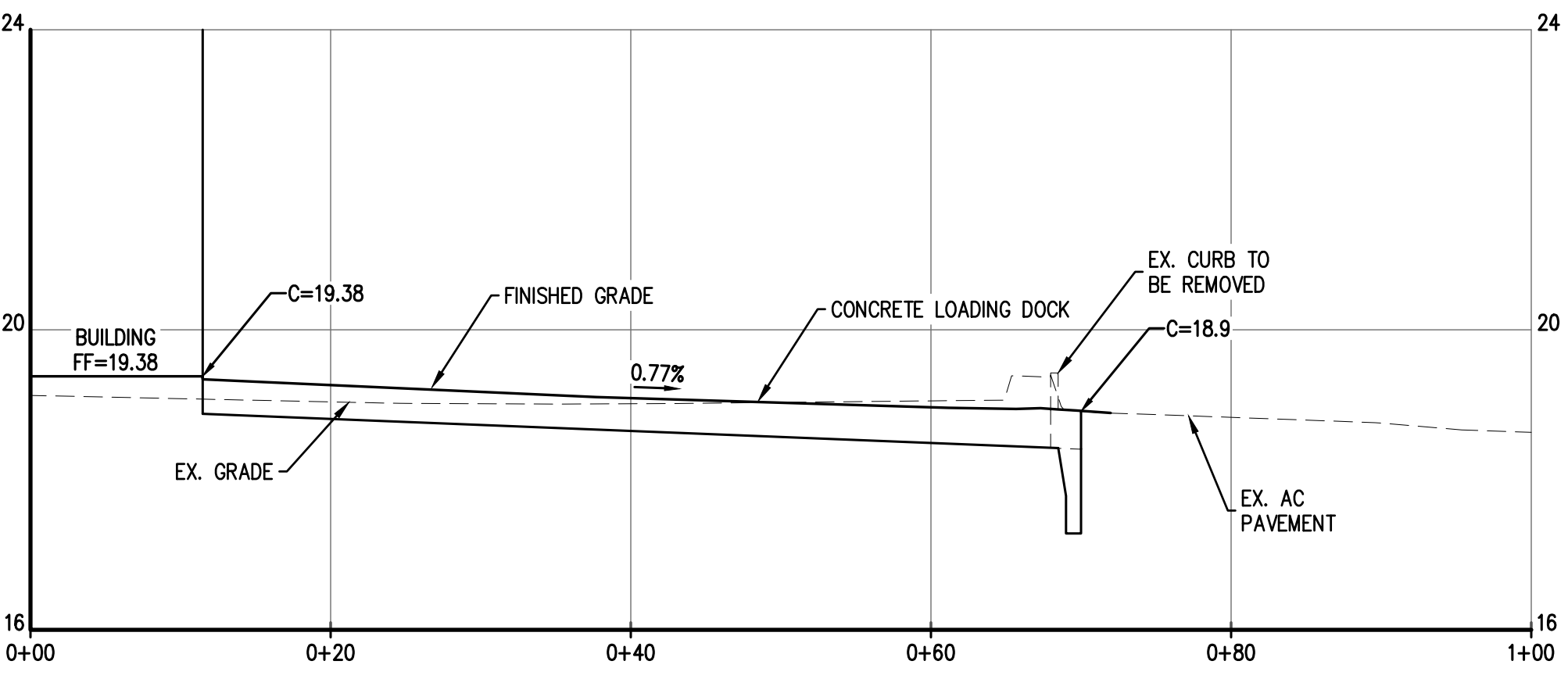
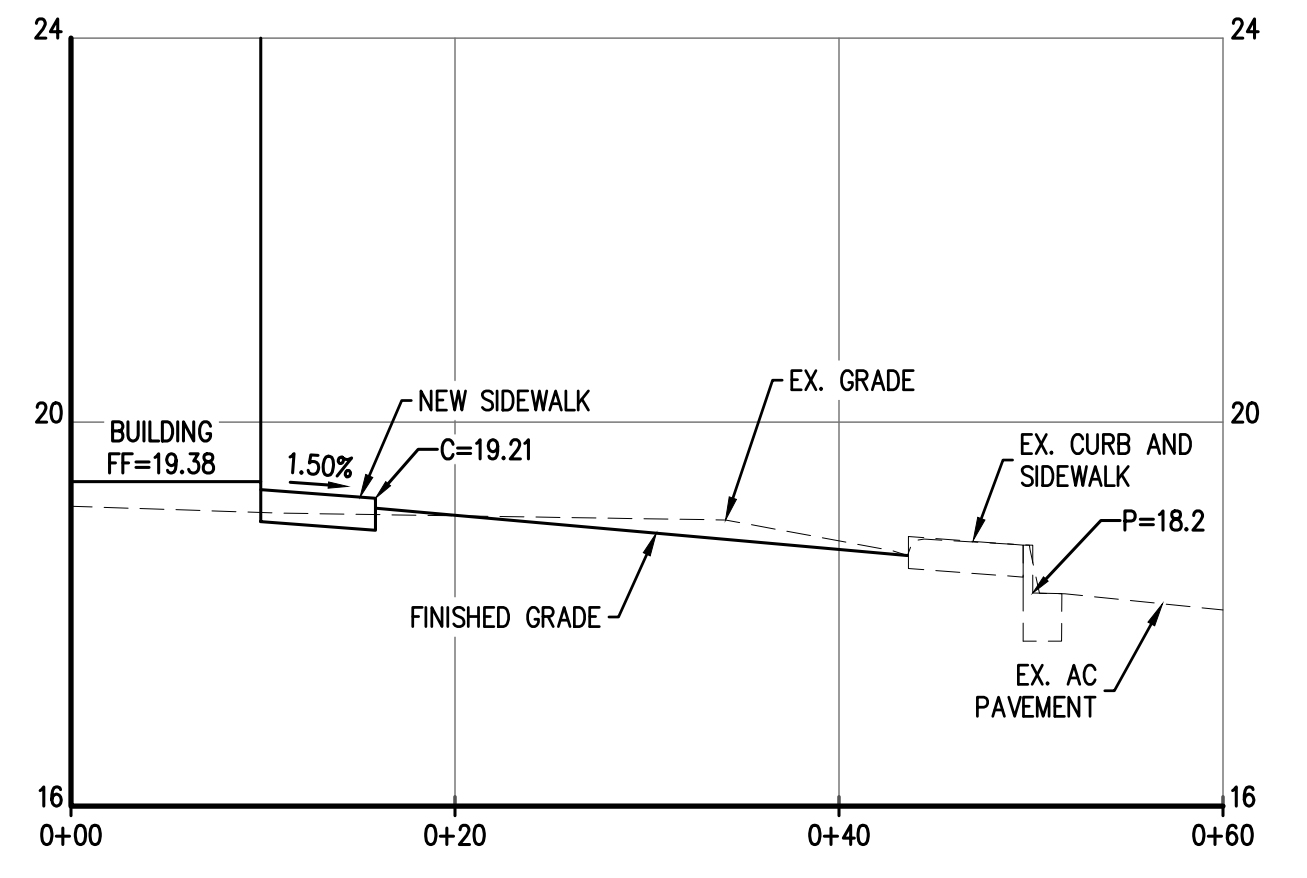
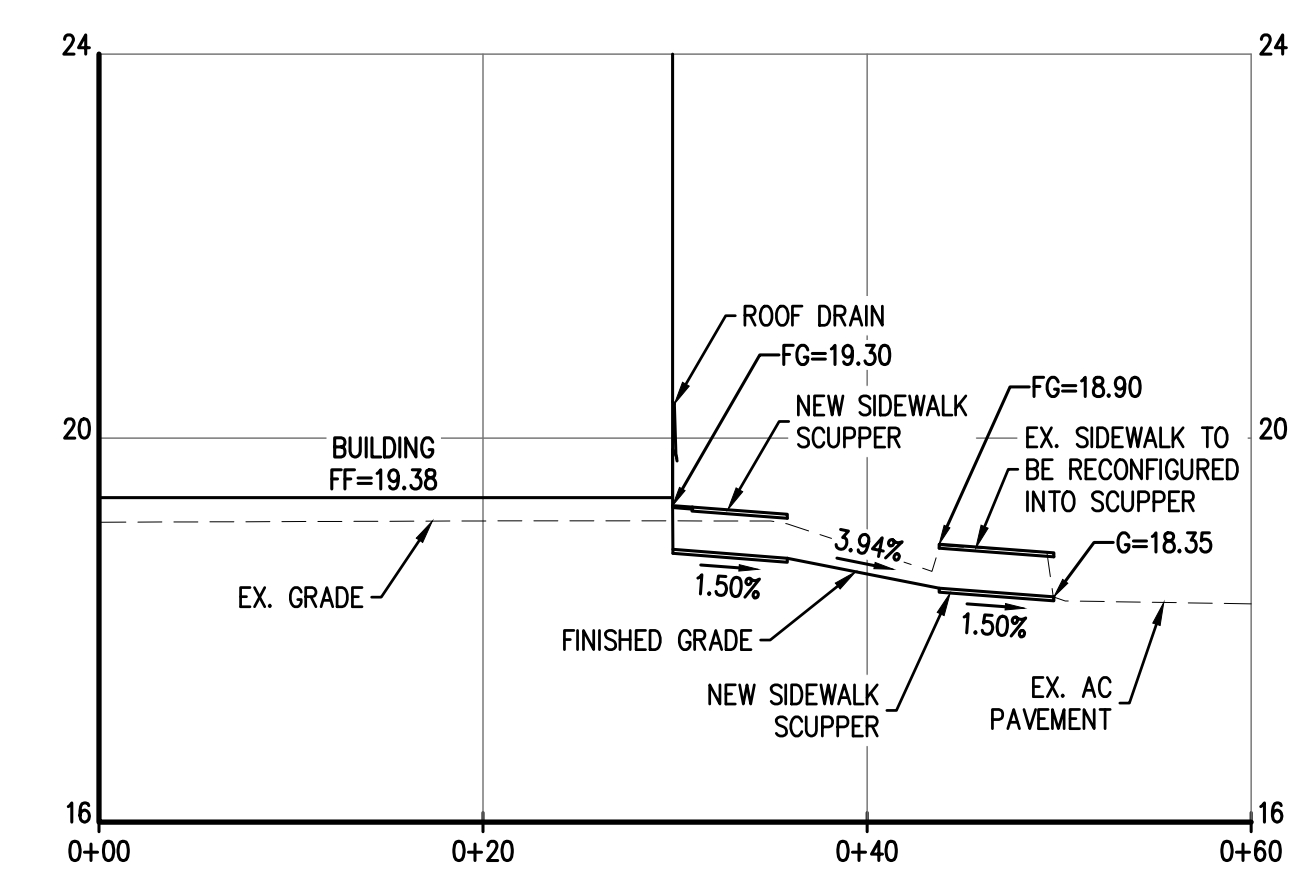
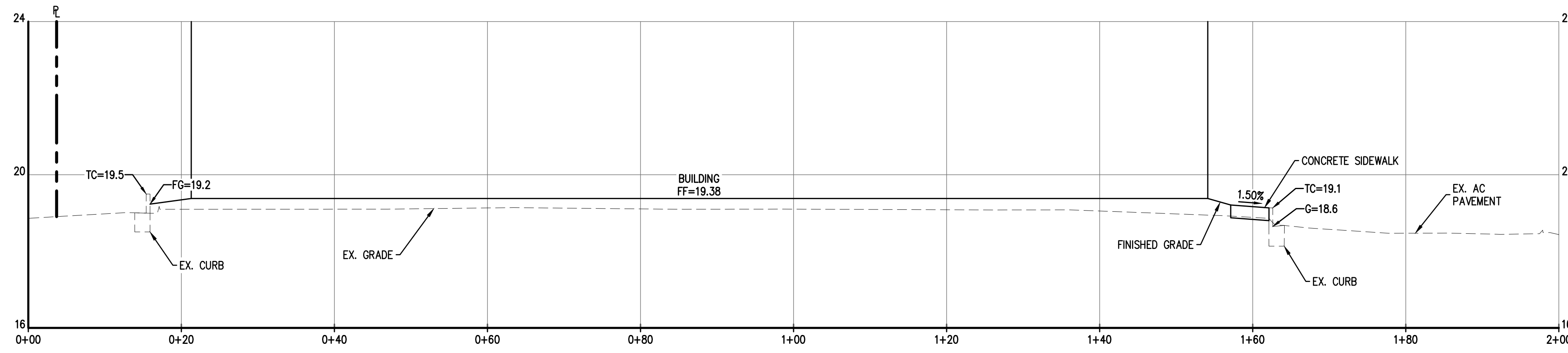


CROSS SECTIONS



CONSTRUCTION SET 11-12-24

REVISIONS:	DATE:
TITLE:	CROSS SECTIONS
DATE:	9/30/2024
PROJ. #:	2076
C-5	5 OF 6

