



winton architects, inc.
 Phoenix, Az. 85014
 wintonarch@gmail.com

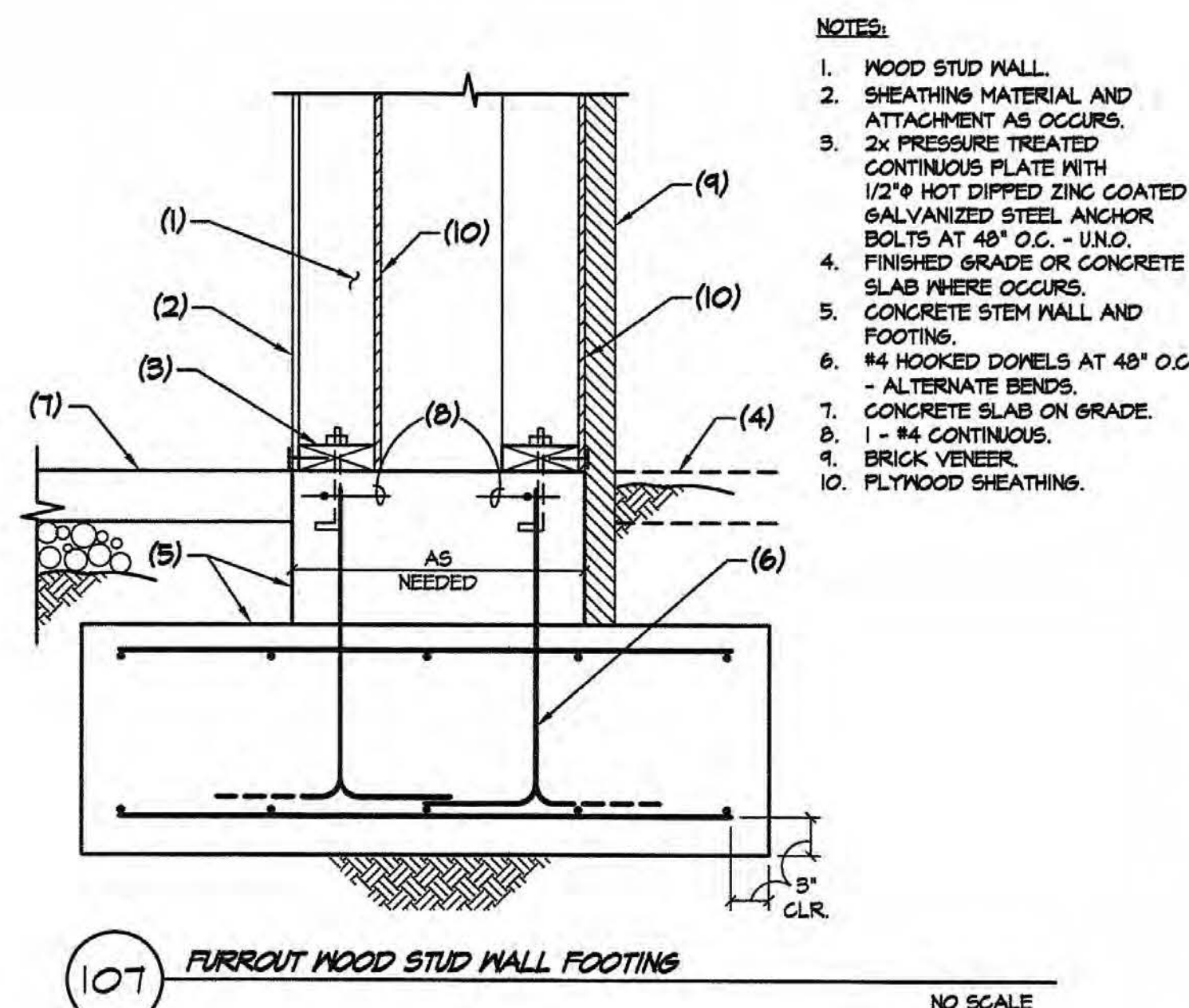
WA

A NEW BUILDING FOR: KIWAMI ON BELL
5327 W. BELL ROAD
GLENDALE, ARIZONA 85306
LOGOS BUILDERS SOUTHWEST

job no. 24-268
 drawn DTR
 approved FJN
 date 12/02/24

revisions

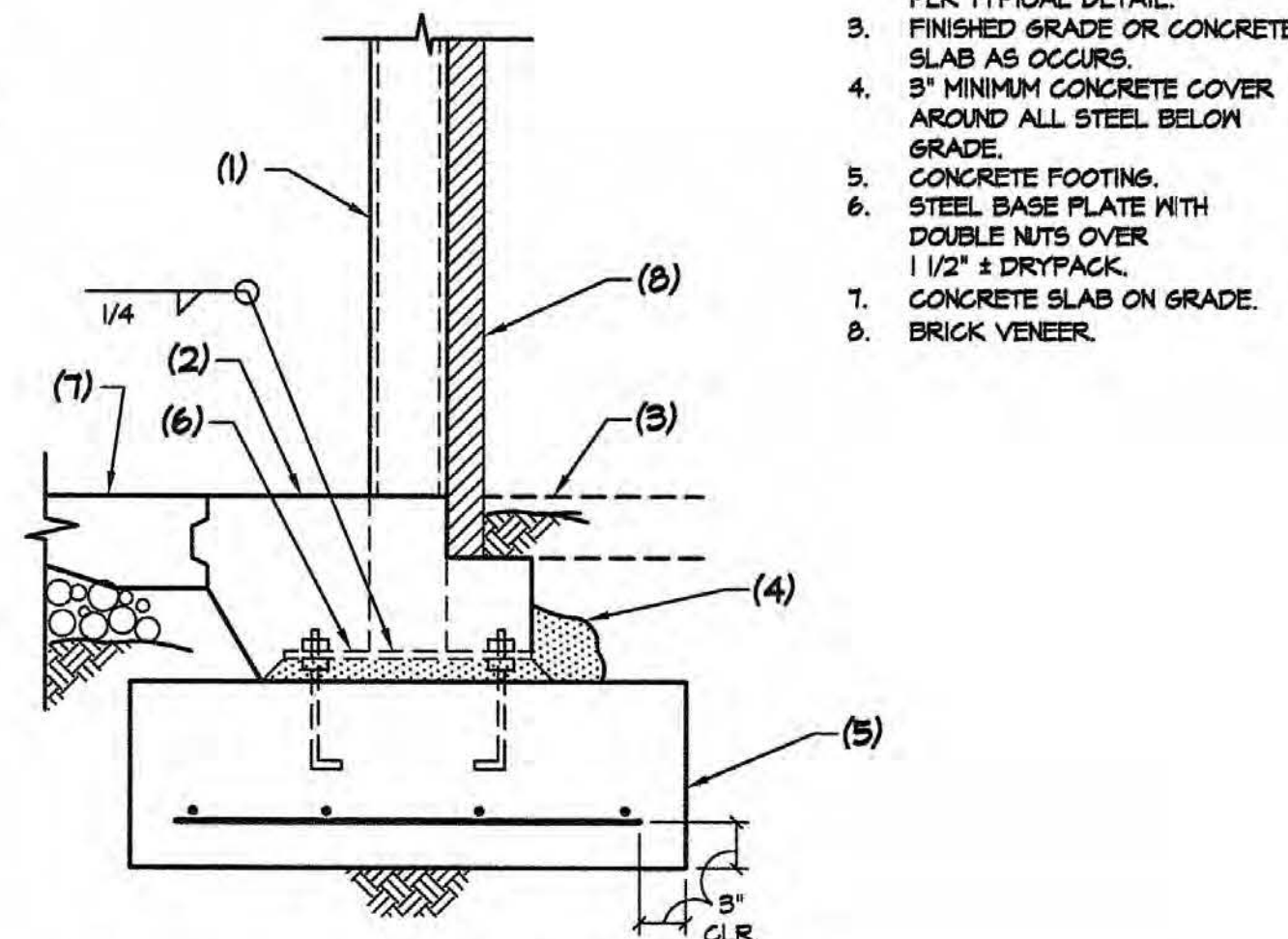
S4.1



NOTES:

1. WOOD STUD WALL.
2. SHEATHING MATERIAL AND ATTACHMENT AS OCCURS.
3. 2x PRESSURE TREATED CONTINUOUS PLATE WITH 1/2" HOT DIPPED ZINC COATED GALVANIZED STEEL ANCHOR BOLTS AT 48" O.C. - U.N.O.
4. FINISHED GRADE OR CONCRETE SLAB WHERE OCCURS.
5. CONCRETE STEM WALL AND FOOTING.
6. #4 HOOKED DOWELS AT 48" O.C. - ALTERNATE BENDS.
7. CONCRETE SLAB ON GRADE.
8. 1 - #4 CONTINUOUS.
9. BRICK VENEER.
10. PLYWOOD SHEATHING.

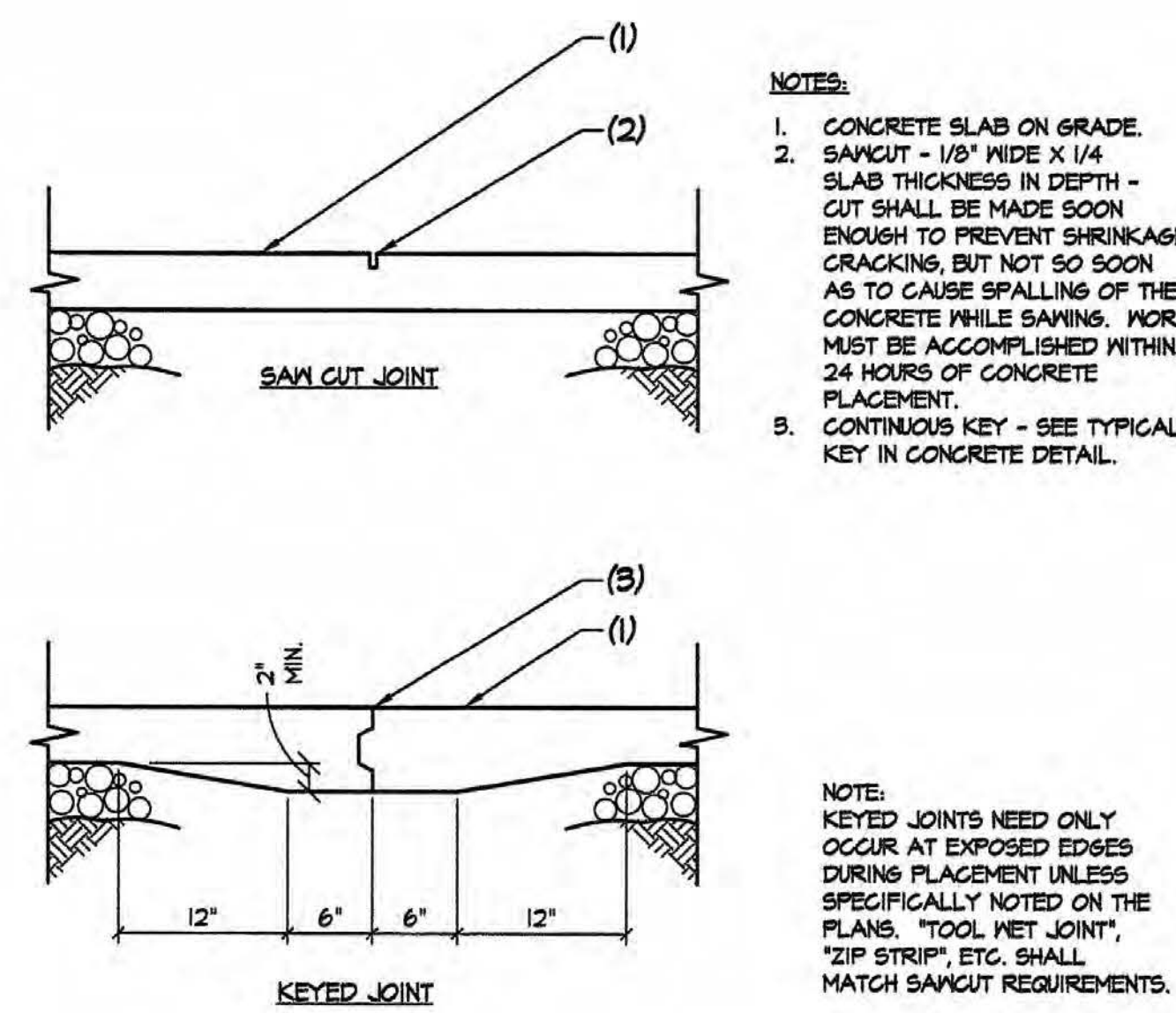
107 FURROUT WOOD STUD WALL FOOTING NO SCALE



NOTES:

1. STEEL COLUMN.
2. CONCRETE CLOSURE POUR PER TYPICAL DETAIL.
3. FINISHED GRADE OR CONCRETE SLAB AS OCCURS.
4. 3" MINIMUM CONCRETE COVER AROUND ALL STEEL BELOW GRADE.
5. CONCRETE FOOTING.
6. STEEL BASE PLATE WITH DOUBLE NUTS OVER 1 1/2" ± DRYPACK.
7. CONCRETE SLAB ON GRADE.
8. BRICK VENEER.

104 EXTERIOR STEEL COLUMN FOOTING NO SCALE

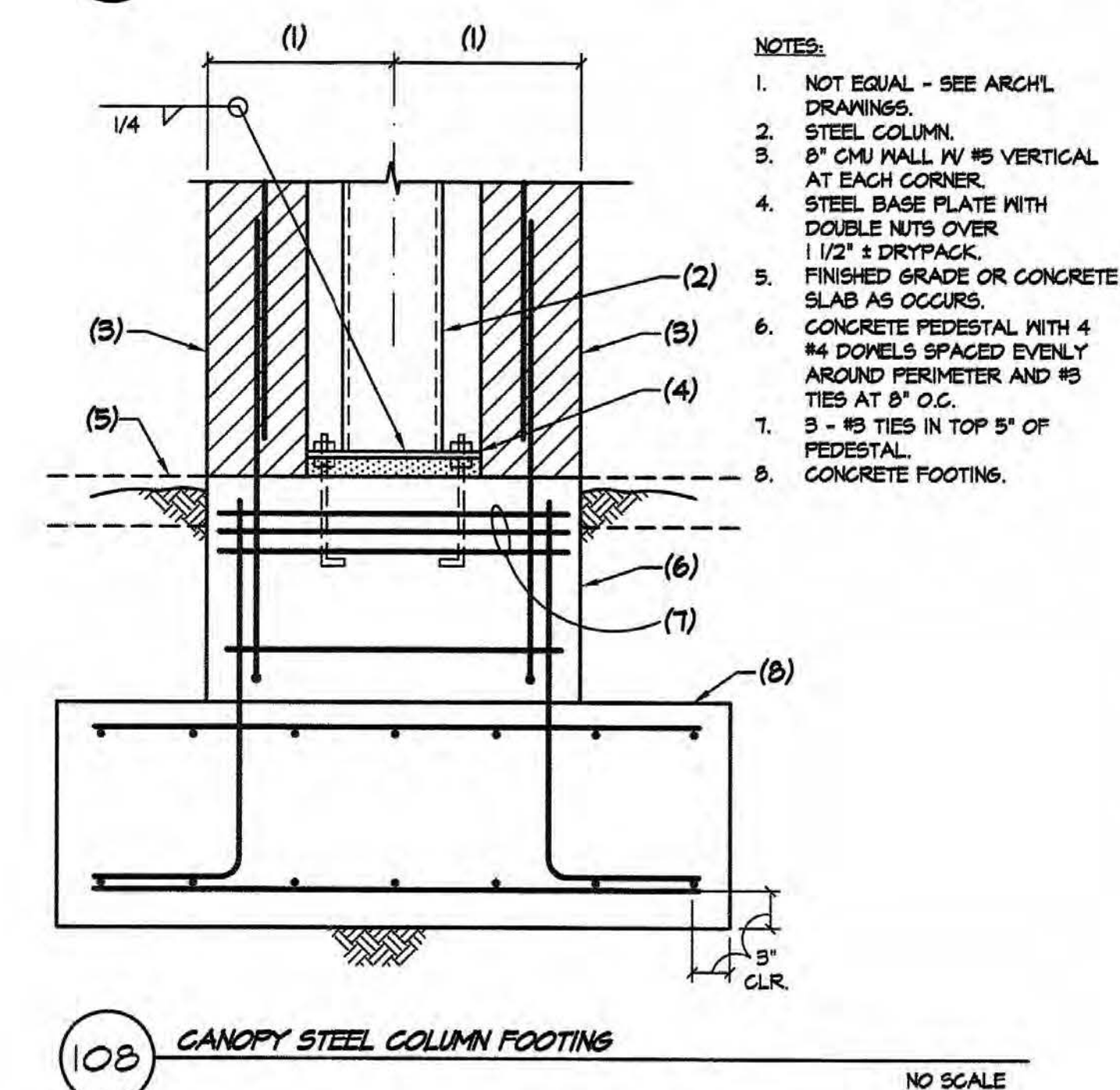


NOTES:

1. CONCRETE SLAB ON GRADE.
2. SAWCUT - 1/8" WIDE X 1/4" SLAB THICKNESS IN DEPTH - CUT SHALL BE MADE SOON ENOUGH TO PREVENT SHRINKAGE CRACKING, BUT NOT SO SOON AS TO CAUSE SPALLING OF THE CONCRETE WHILE SAWING. WORK MUST BE ACCOMPLISHED WITHIN 24 HOURS OF CONCRETE PLACEMENT.
3. CONTINUOUS KEY - SEE TYPICAL KEY IN CONCRETE DETAIL.

NOTE: KEYPED JOINTS NEED ONLY OCCUR AT EXPOSED EDGES DURING PLACEMENT UNLESS SPECIFICALLY NOTED ON THE PLANS. "TOOL NET JOINT", "ZIP STRIP", ETC. SHALL MATCH SAWCUT REQUIREMENTS.

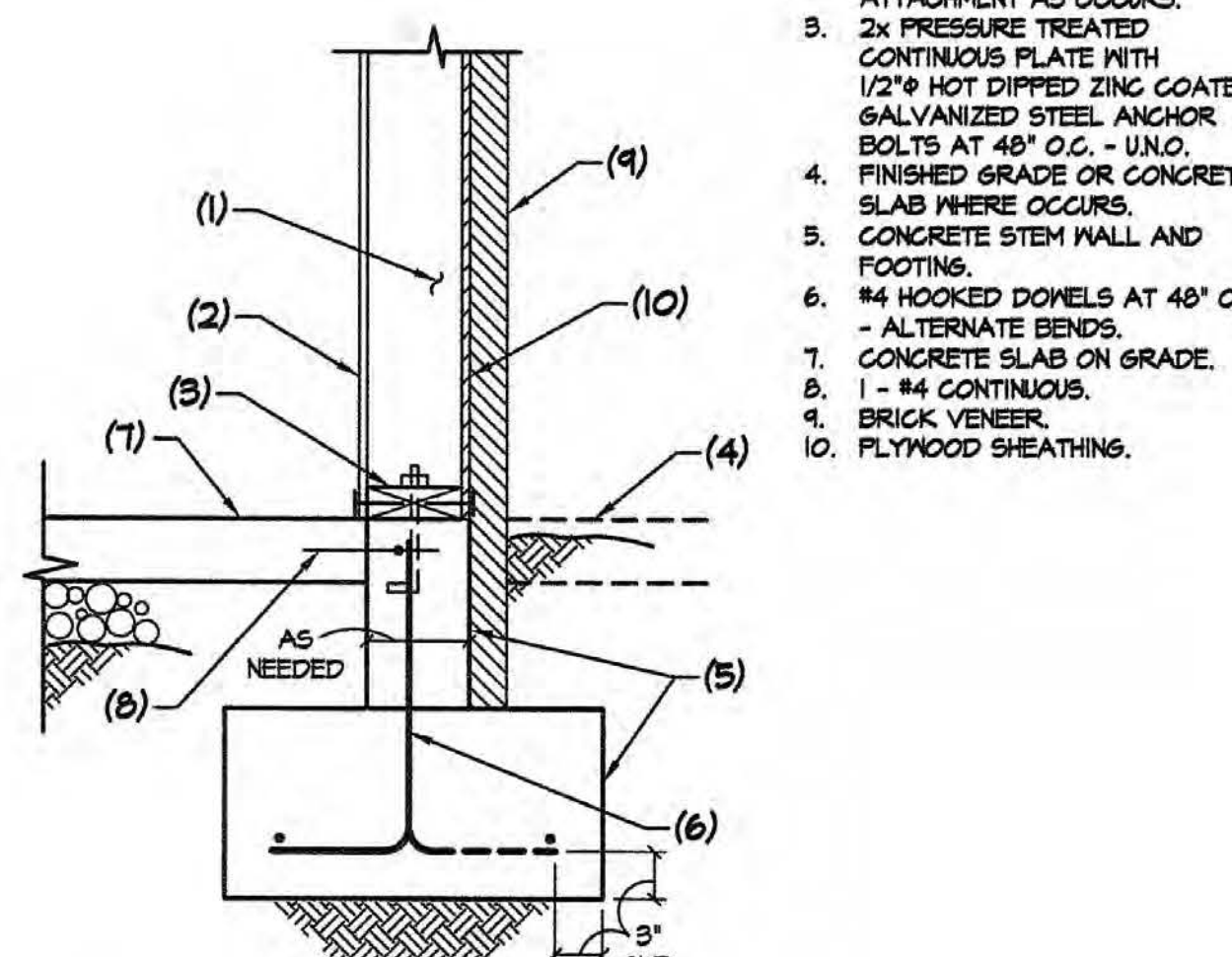
101 CONTROL JOINTS IN CONCRETE SLAB ON GRADE NO SCALE



NOTES:

1. NOT EQUAL - SEE ARCH. DRAWINGS.
2. STEEL COLUMN.
3. 8" CMU WALL W/ #5 VERTICAL AT EACH CORNER.
4. STEEL BASE PLATE WITH DOUBLE NUTS OVER 1 1/2" ± DRYPACK.
5. FINISHED GRADE OR CONCRETE SLAB AS OCCURS.
6. CONCRETE PEDESTAL WITH 4 #4 DOWELS SPACED EVENLY AROUND PERIMETER AND #5 TIES AT 8" O.C.
7. 3 - #5 TIES IN TOP 3" OF PEDESTAL.
8. CONCRETE FOOTINGS.

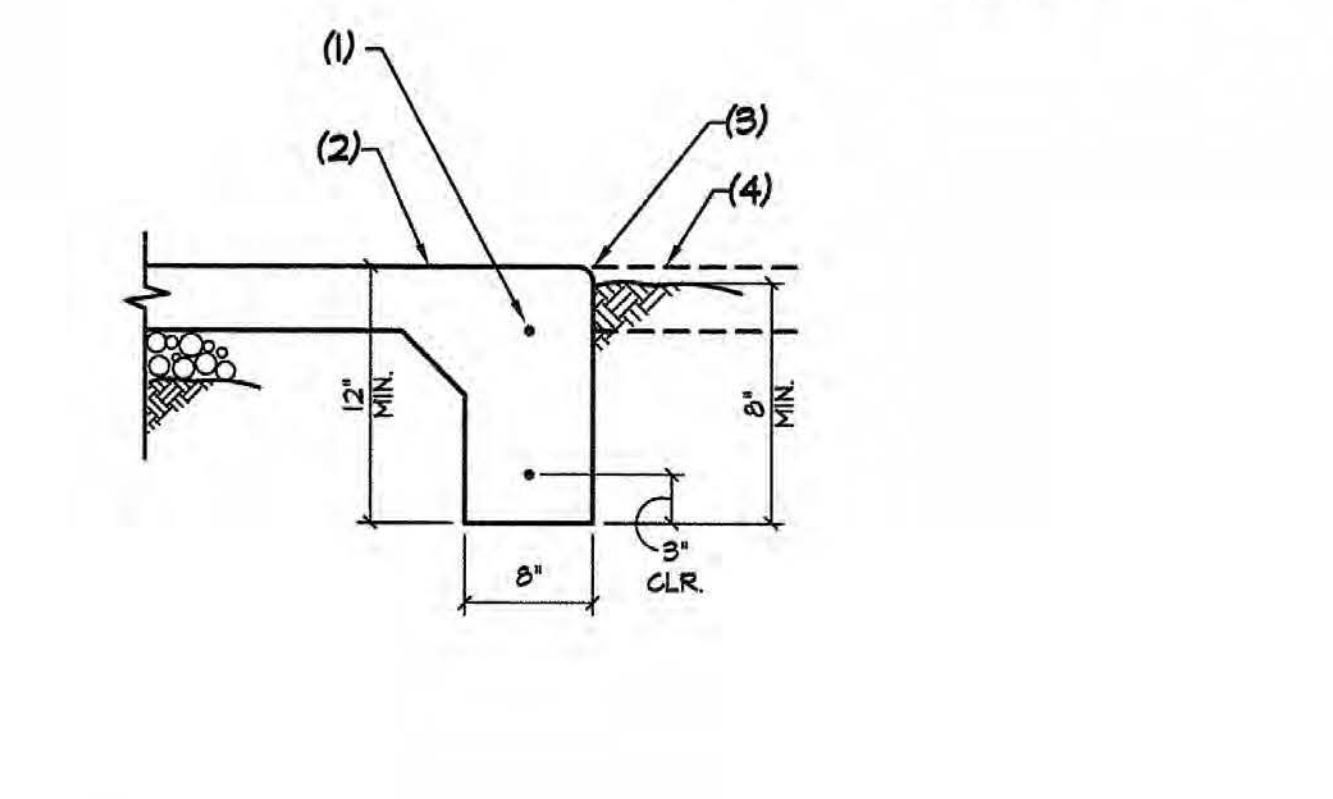
108 CANOPY STEEL COLUMN FOOTING NO SCALE



NOTES:

1. WOOD STUD WALL.
2. SHEATHING MATERIAL AND ATTACHMENT AS OCCURS.
3. 2x PRESSURE TREATED CONTINUOUS PLATE WITH 1/2" HOT DIPPED ZINC COATED GALVANIZED STEEL ANCHOR BOLTS AT 48" O.C. - U.N.O.
4. FINISHED GRADE OR CONCRETE SLAB WHERE OCCURS.
5. CONCRETE STEM WALL AND FOOTING.
6. #4 HOOKED DOWELS AT 48" O.C. - ALTERNATE BENDS.
7. CONCRETE SLAB ON GRADE.
8. 1 - #4 CONTINUOUS.
9. BRICK VENEER.
10. PLYWOOD SHEATHING.

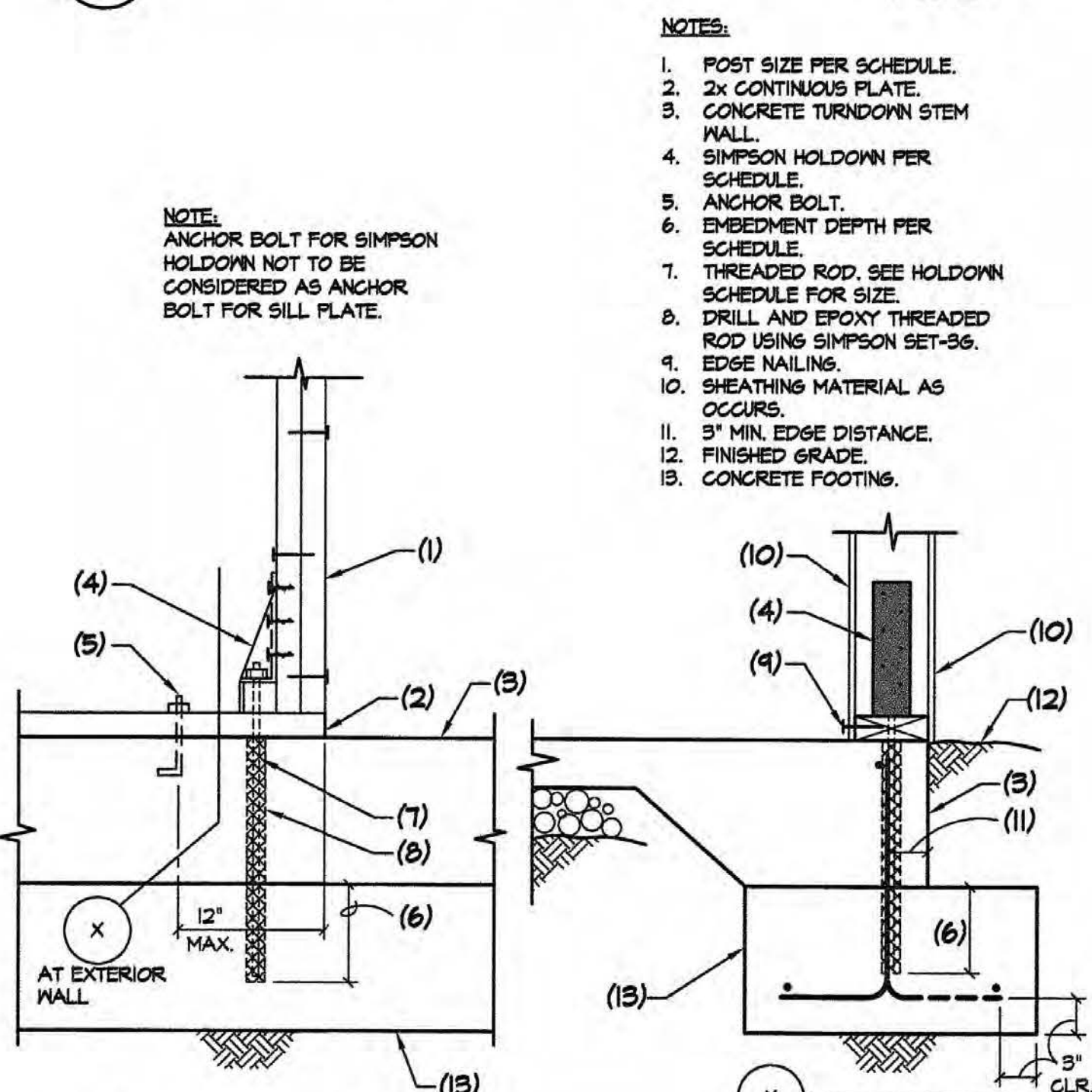
105 EXTERIOR WOOD STUD WALL FOOTING NO SCALE



NOTES:

1. 1 - #4 CONT. TOP AND BOTTOM.
2. CONCRETE SLAB ON GRADE.
3. TOOLED EDGE.
4. CONCRETE SLAB ON GRADE OR FINISHED GRADE AS OCCURS.

102 CONCRETE TURNDOWN AT BUILDING EDGE NO SCALE

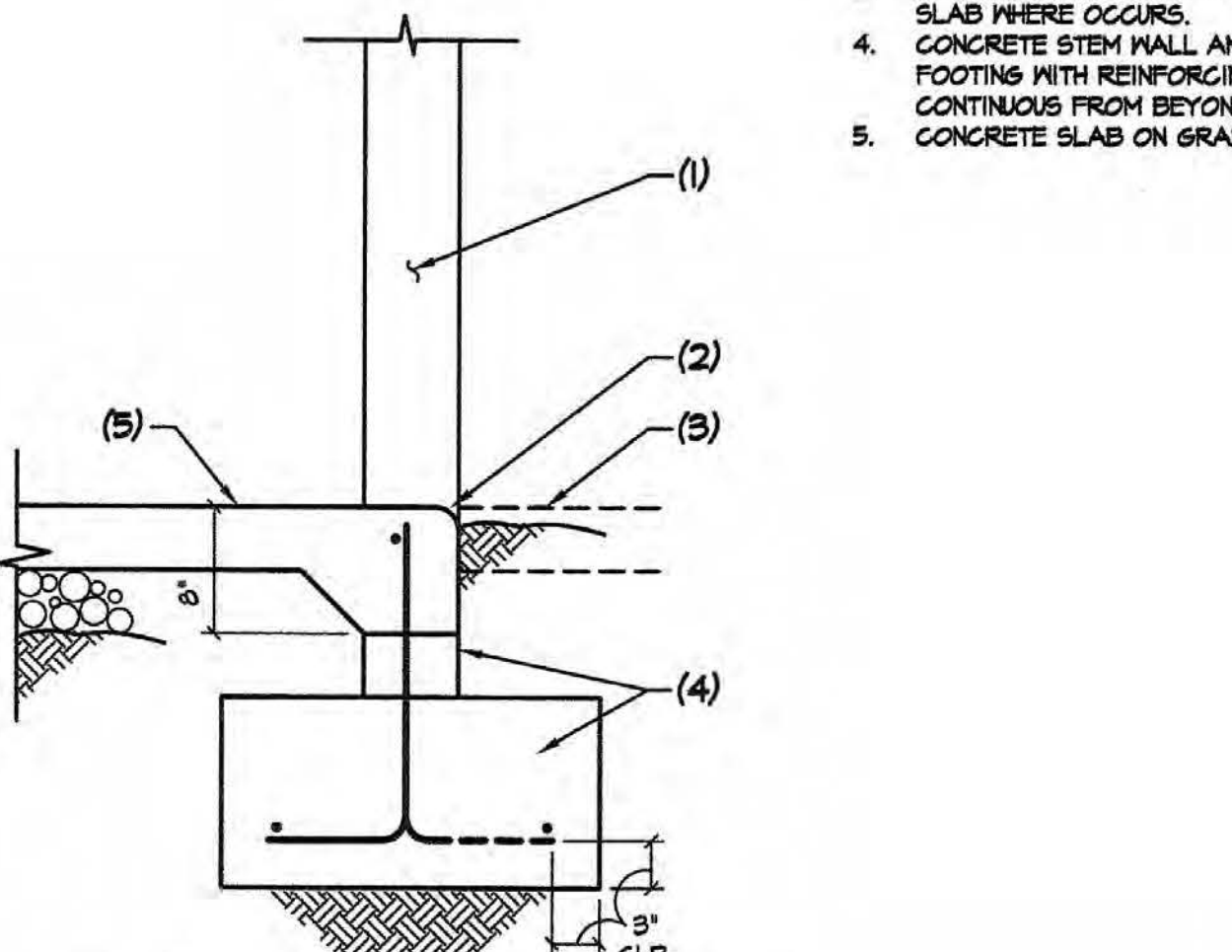


NOTES:

1. POST SIZE PER SCHEDULE.
2. 2x CONTINUOUS PLATE.
3. CONCRETE TURNDOWN STEM WALL.
4. SIMPSON HOLDOWN PER SCHEDULE.
5. ANCHOR BOLT.
6. EMBEDMENT DEPTH PER SCHEDULE.
7. THREADED ROD. SEE HOLDOWN SCHEDULE FOR SIZE.
8. DRILL AND EPOXY THREADED ROD USING SIMPSON SET-SS.
9. EDGE NAILING.
10. SHEATHING MATERIAL AS OCCURS.
11. 3" MIN. EDGE DISTANCE.
12. FINISHED GRADE.
13. CONCRETE FOOTING.

NOTE: ANCHOR BOLT FOR SIMPSON HOLDOWN NOT TO BE CONSIDERED AS ANCHOR BOLT FOR SILL PLATE.

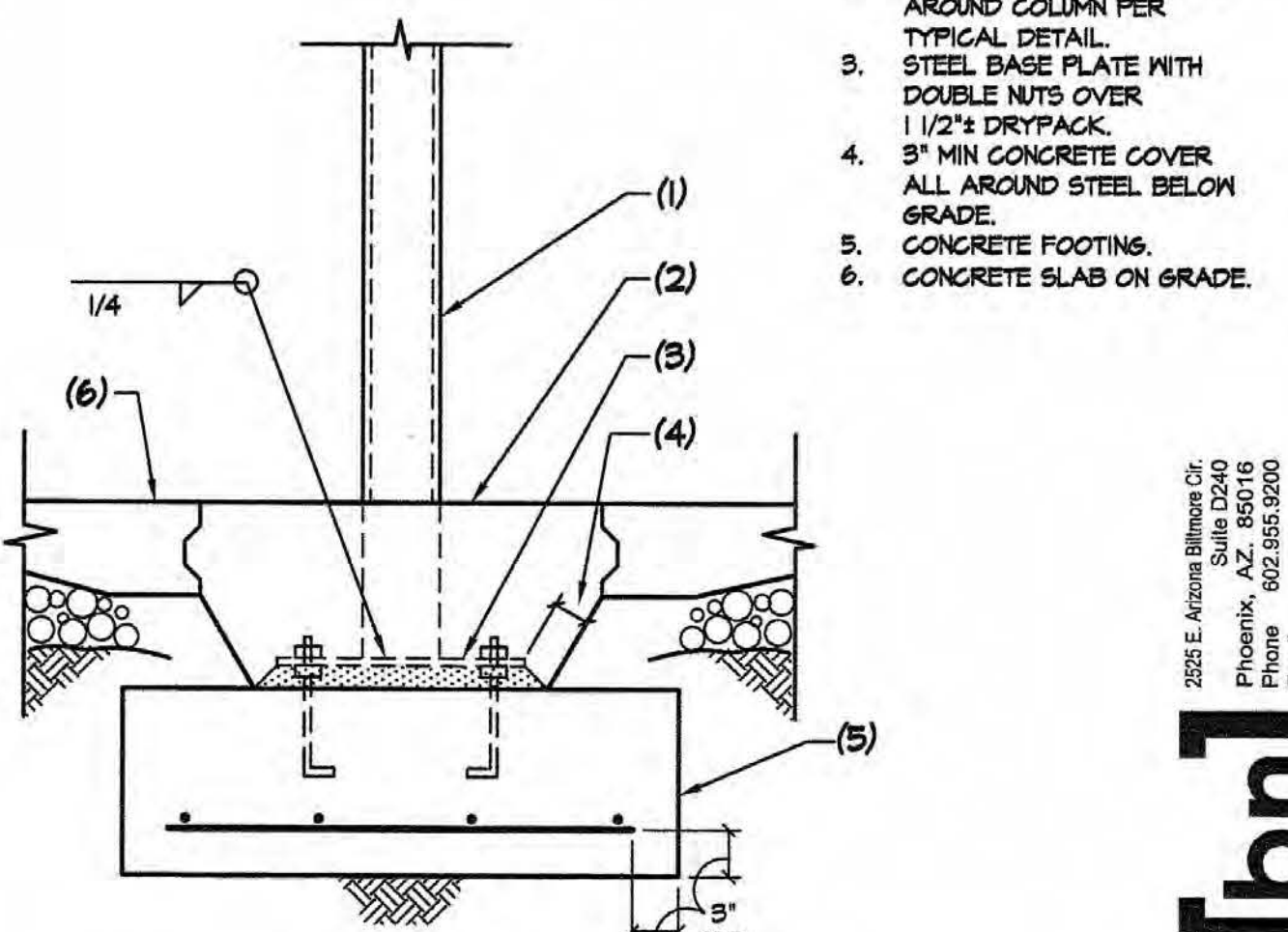
109 SIMPSON HOLDOWN NO SCALE



NOTES:

1. WOOD STUD WALL BEYOND.
2. TOOLED EDGE.
3. FINISHED GRADE OR CONCRETE SLAB WHERE OCCURS.
4. CONCRETE STEM WALL AND FOOTING WITH REINFORCING CONTINUOUS FROM BEYOND.
5. CONCRETE SLAB ON GRADE.

106 EXTERIOR WOOD STUD WALL FOOTING NO SCALE



NOTES:

1. STEEL COLUMN.
2. CONCRETE CLOSURE POUR AROUND COLUMN PER TYPICAL DETAIL.
3. STEEL BASE PLATE WITH DOUBLE NUTS OVER 1 1/2" ± DRYPACK.
4. 3" MIN CONCRETE COVER ALL AROUND STEEL BELOW GRADE.
5. CONCRETE FOOTING.
6. CONCRETE SLAB ON GRADE.

103 INTERIOR STEEL COLUMN FOOTING NO SCALE

2225 E. Arizona Biltmore Cir.
 Suite D240
 Phoenix, AZ 85028
 Phone 602.556.9200
 Email cast@bakumnoelke.com

