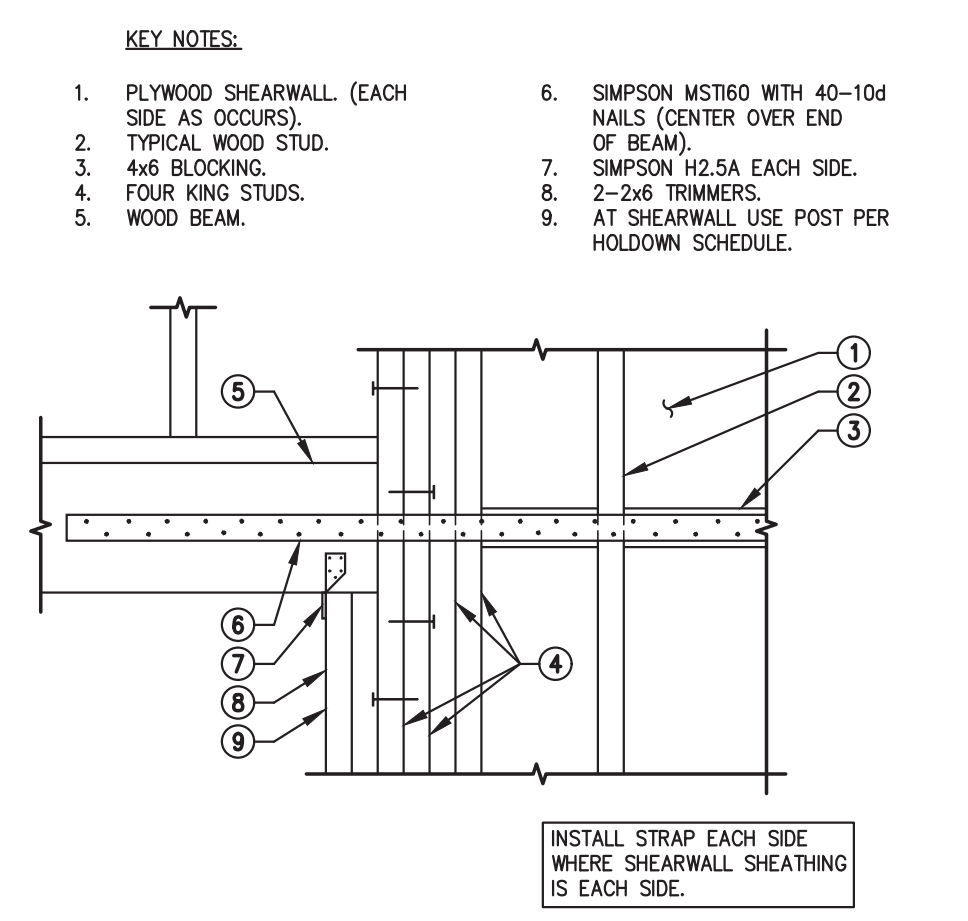
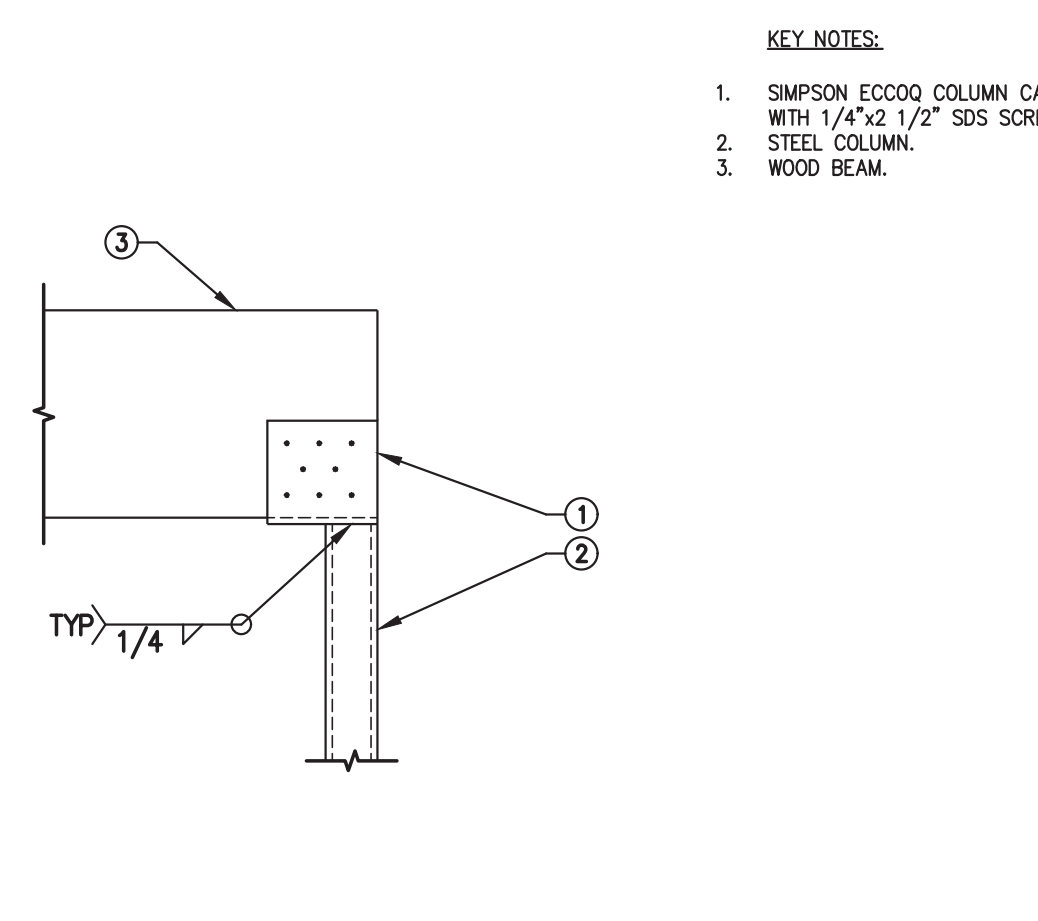


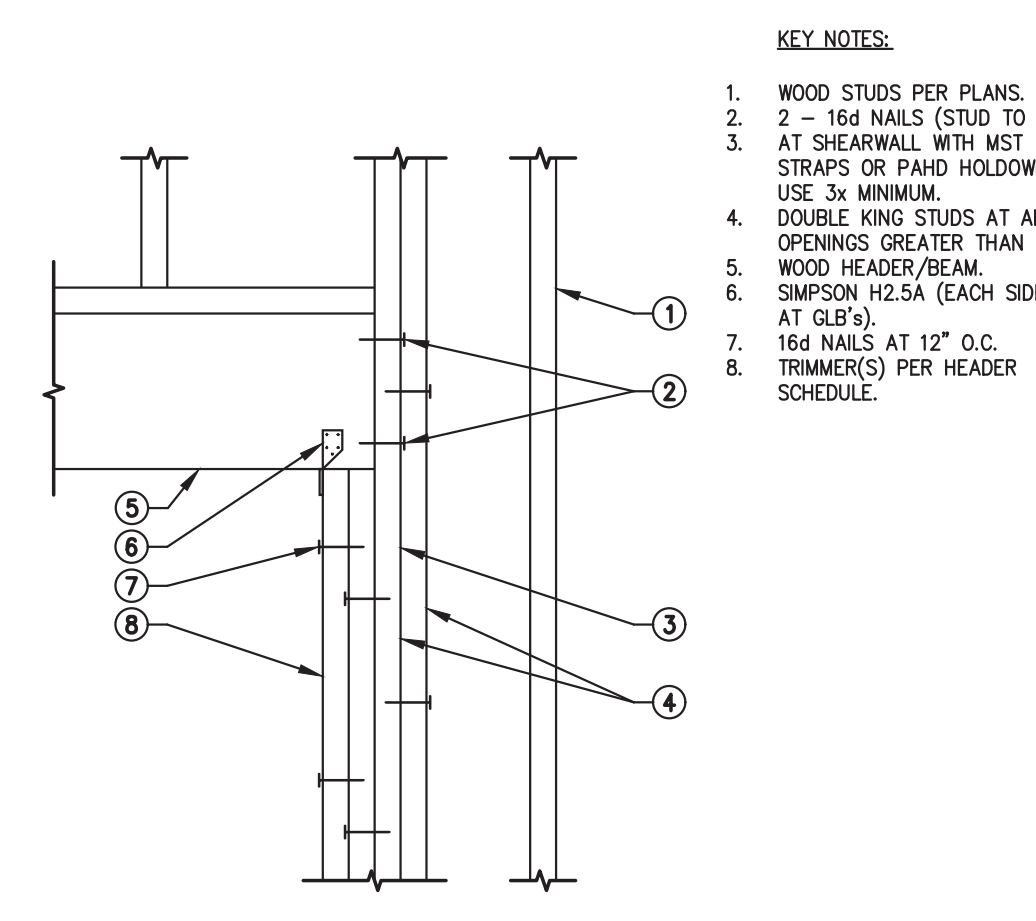
201 WOOD BEAMS AT STEEL COLUMN 322-02.3 NOT TO SCALE



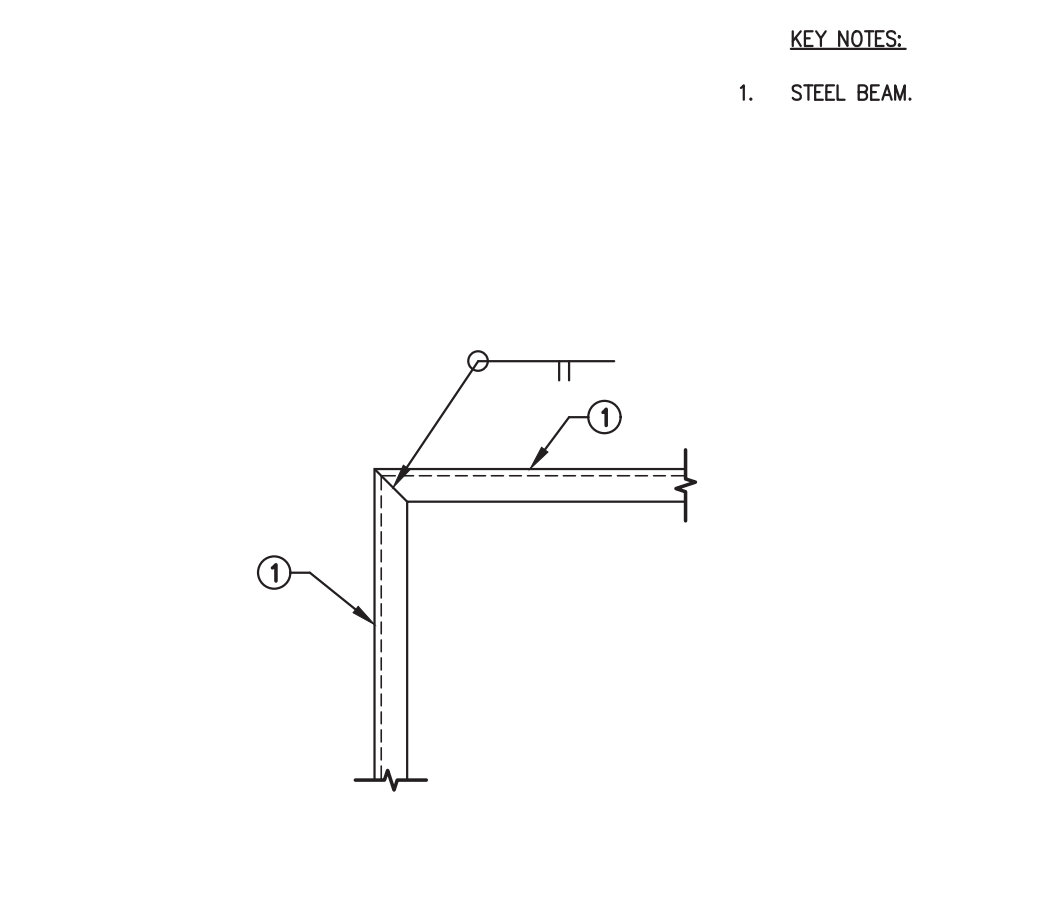
202 WOOD BEAM AT WOOD STUD WALL (TYPICAL AT GRID C) 300-01.7M NOT TO SCALE



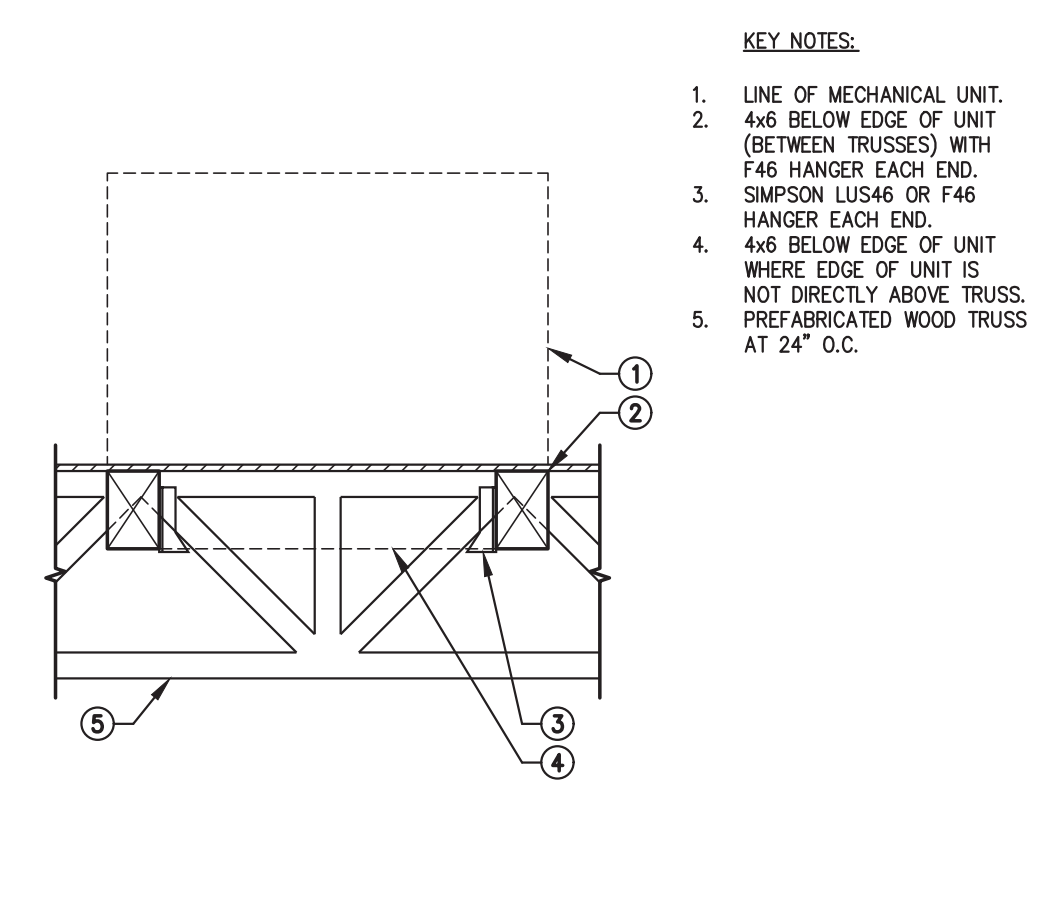
203 WOOD BEAM AT STEEL COLUMN 322-03.2 NOT TO SCALE



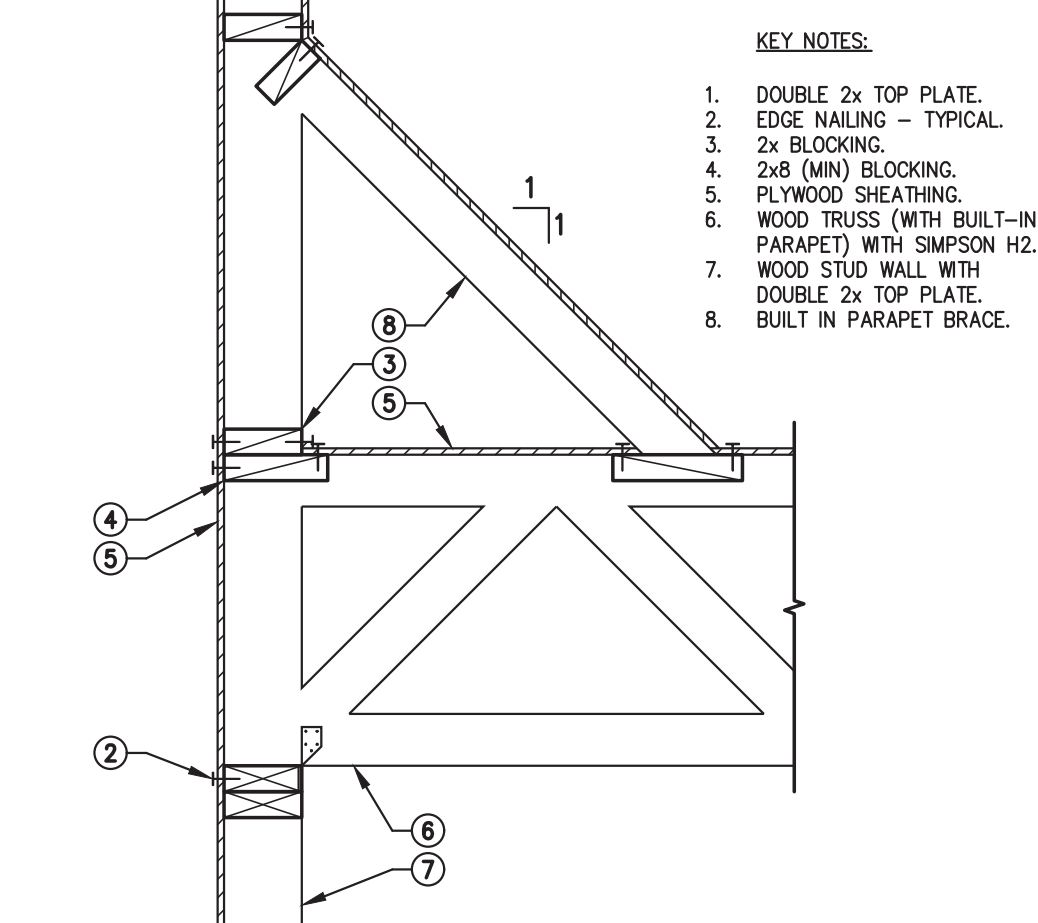
204 TYPICAL HEADER AT WOOD STUD WALL 300-01 NOT TO SCALE



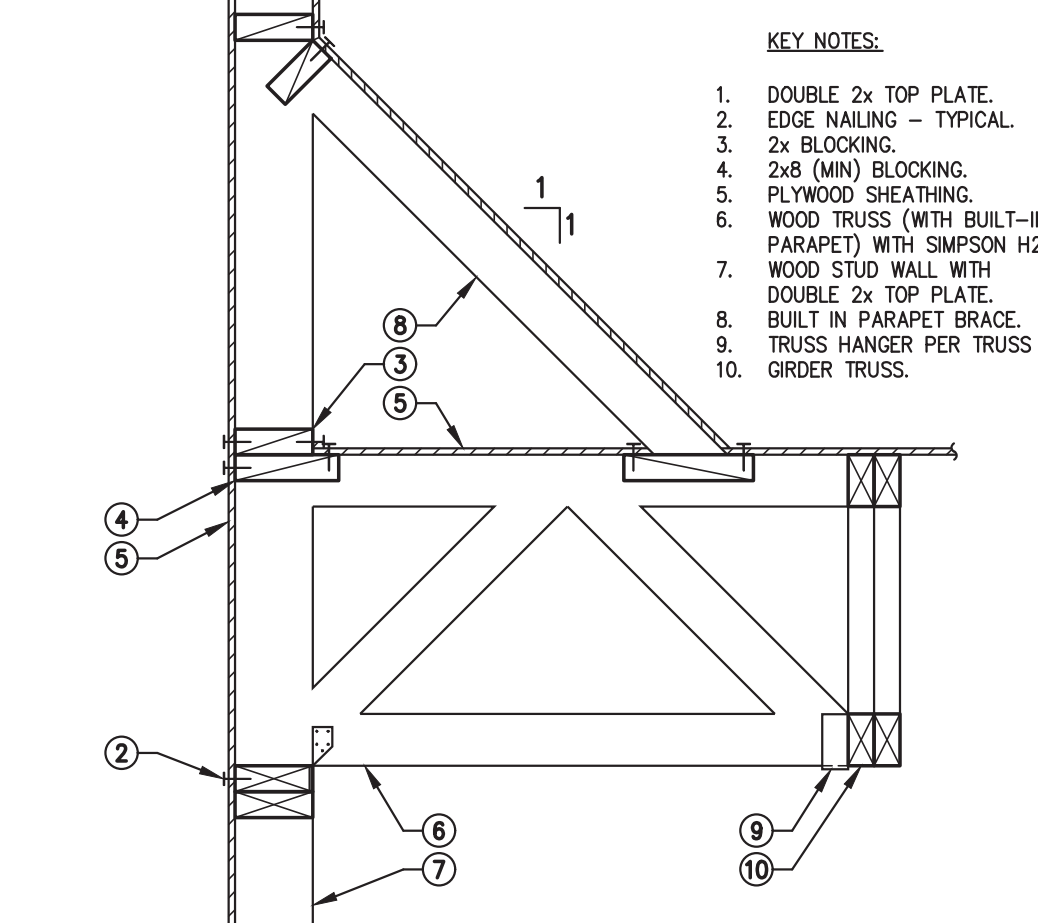
205 PLAN - STEEL BEAM AT STEEL BEAM 1501-01.03 NOT TO SCALE



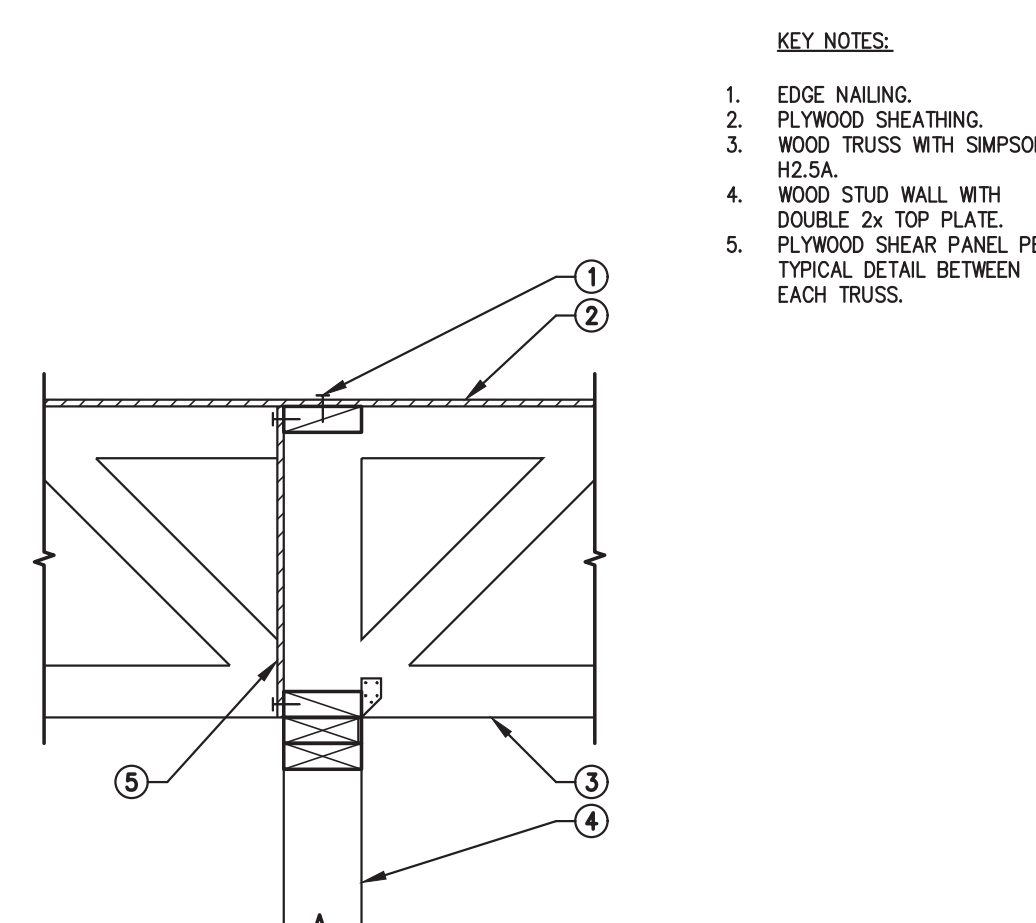
206 MECHANICAL UNIT PLATFORM 452-01.1 NOT TO SCALE



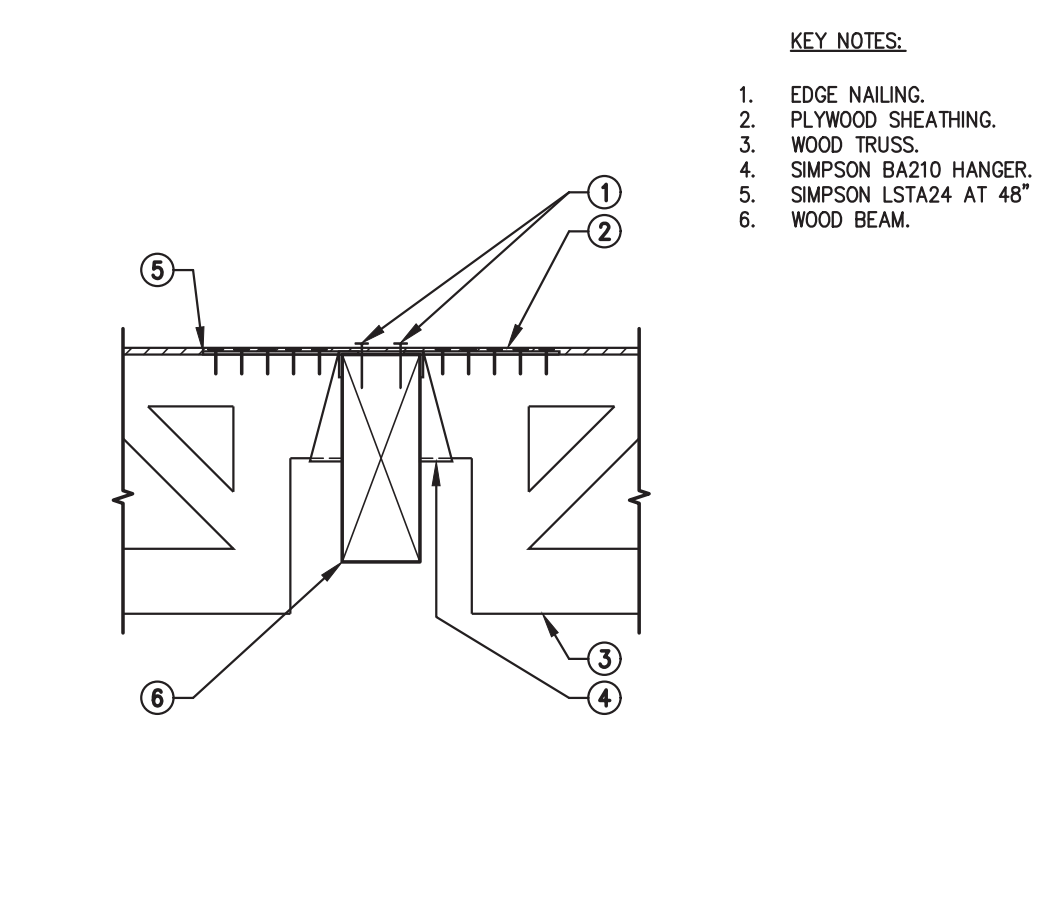
207 WOOD TRUSS AT WOOD STUD WALL 460-01M NOT TO SCALE



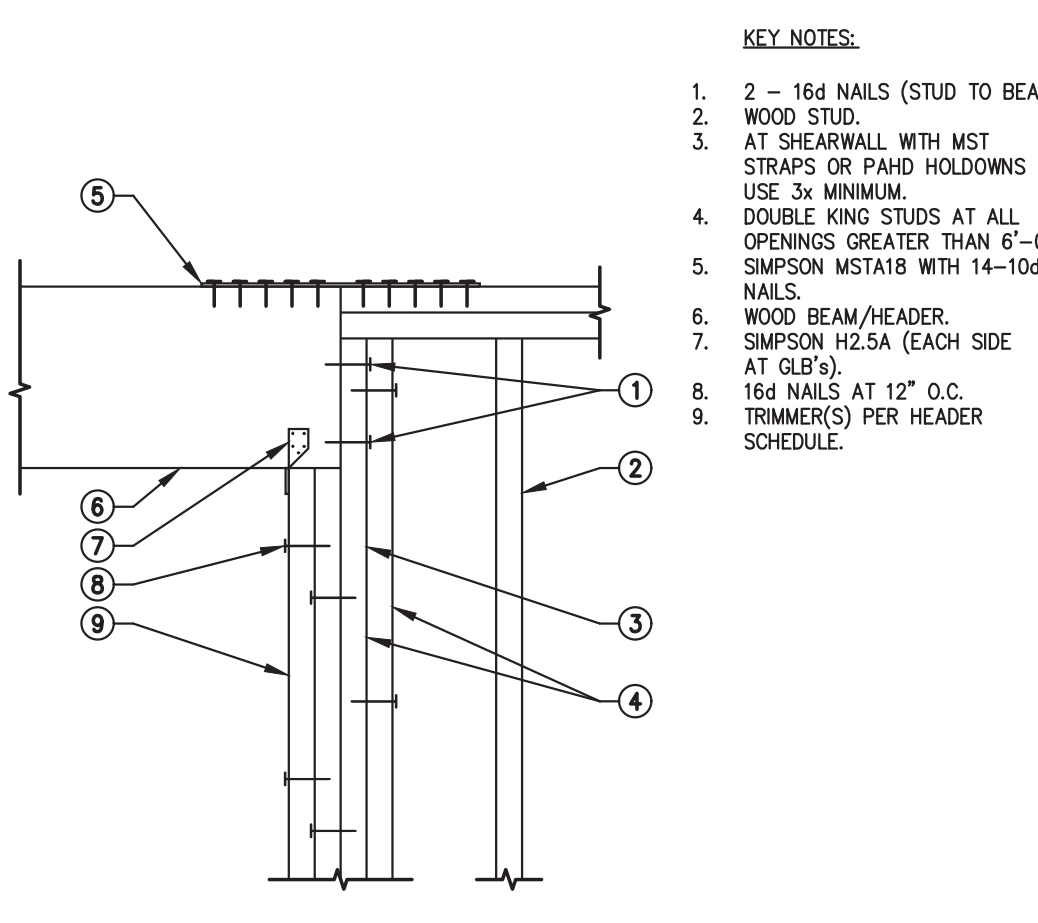
208 WOOD TRUSS AT WOOD STUD WALL/GIRDER 460-01M NOT TO SCALE



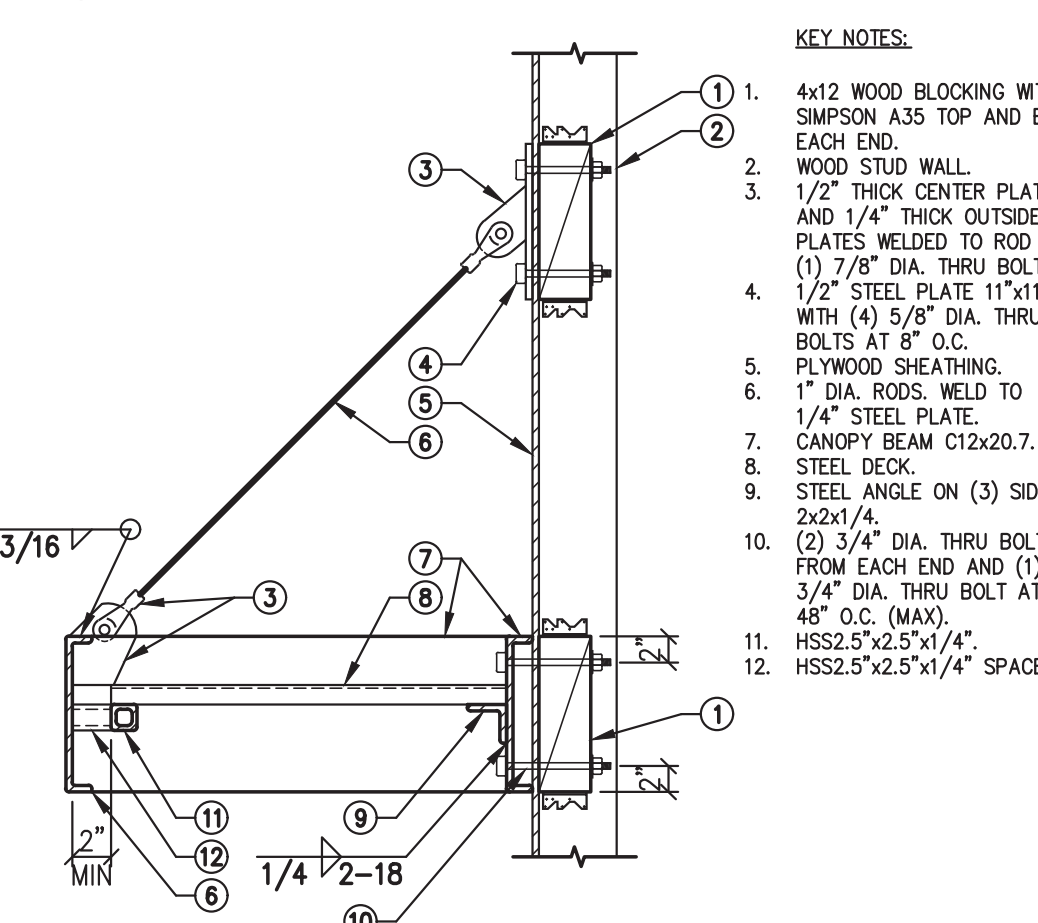
209 WOOD TRUSS CONTINUOUS AT WOOD STUD WALL 460-01.2M NOT TO SCALE



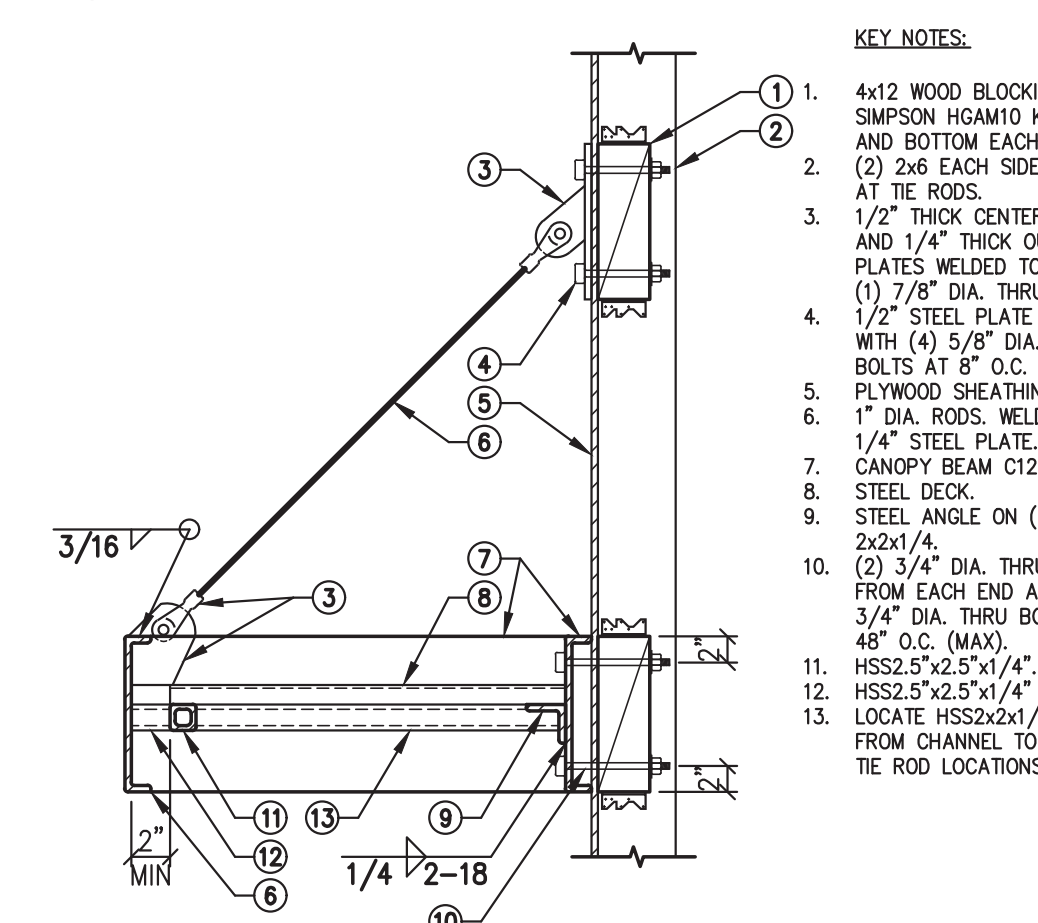
210 WOOD TRUSSES AT WOOD BEAM 462-01.2 NOT TO SCALE



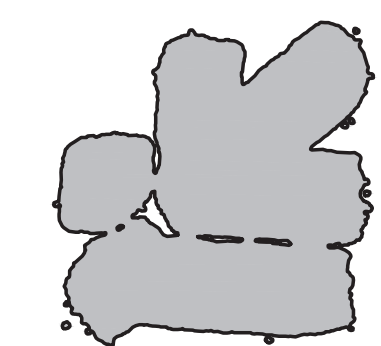
211 TYPICAL HEADER AT WOOD STUD WALL 300-01.1 NOT TO SCALE



212 CANOPY SECTION 24-121 NOT TO SCALE



213 CANOPY SECTION 24-121 NOT TO SCALE



BRKAA
2233 EAST THOMAS ROAD, PHOENIX, ARIZONA 85016
602-955-3900
RKA.A.COM



DATE	DESCRIPTION
08-22-24	OWNER CHANGES
05-18-24	CITY COMMENTS

NOTES OF ALTERNATE BILLING OR PAYMENT CYCLE: THE CONTRACTOR SHALL ALLOW THE OWNER TO REQUIRE THE SUBMISSION OF BILLING OR PAYMENT CYCLE ESTIMATES IN BILLING CYCLES OTHER THAN THIRTY DAYS. THE CONTRACTOR SHALL ALLOW THE OWNER TO MAKE A PAYMENT CERTIFICATION AND APPEAL OF BILLING AND ESTIMATES A WRITTEN OCCURRENCE OF SUCH OTHER BILLING CYCLE APPLICABLE TO THE PROJECT IS AVAILABLE FROM OWNER OR DESIGNER.

NEW COMMERCIAL PAD
PAD 58 AT PASO LINDO SHOPPING CENTER
NEC OF ARIZONA AVE AND OCOTILLO RD.
CHANDLER, AZ

CONSTRUCTION SET_11-12-24

design by: GS
drawn by: LV
checked by: GS

S5.1
project #: 23057

Simply Structural Inc. #24-121 ENG:GS
602-443-0303
730 N. 52nd Street, Suite 105
Phoenix, Arizona 85008
mwilda@simplystructural.com